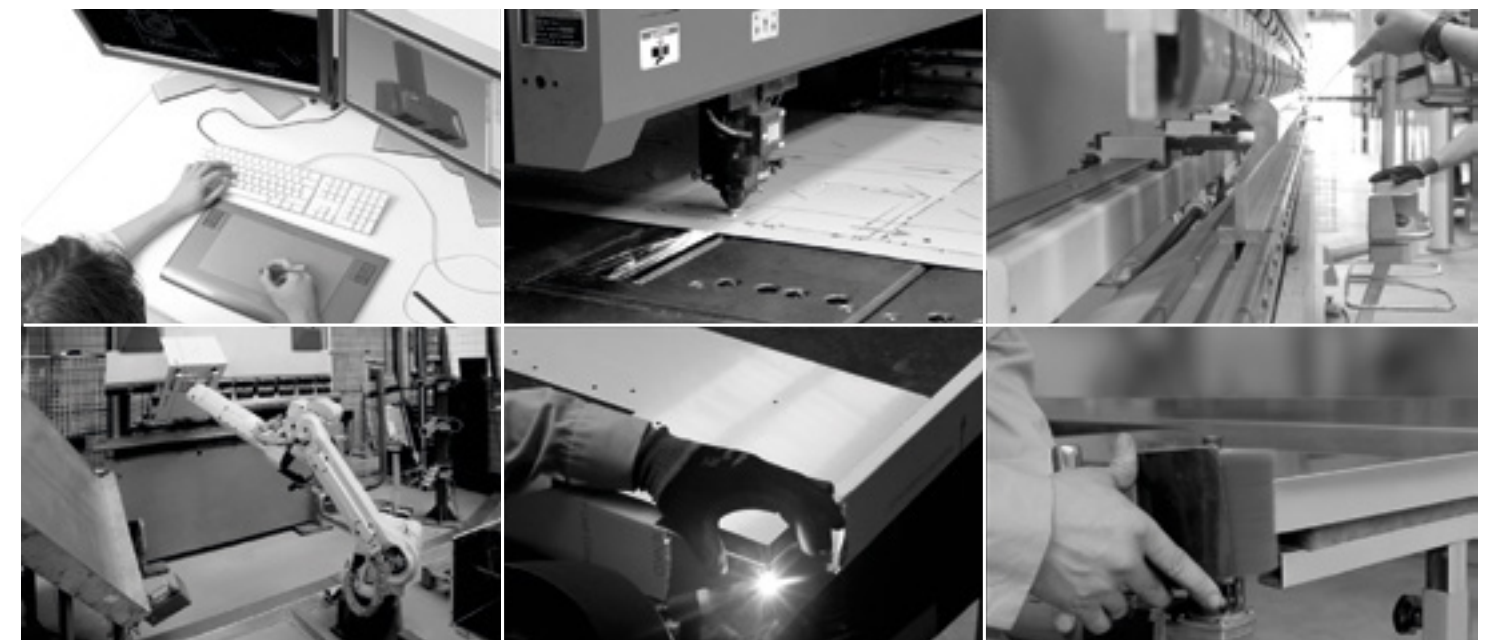


Collection
2021

FRECAN

The essence of Frecan



Innovation and detail come together to create an exquisite, unique range of cooker hoods, where silence, performance and durability are converted into our insignia.

Products created and designed to live in the kitchen.

Each of our cooker hoods has its own personality and all of them coincide in something: Silence.

We create comfort for your home.



FRECAN is crafts, it is state-of-the-art technology.

Quality, design and taking care of every detail are our hallmarks.

Products created and designed to live in the kitchen.

Silent hoods that make the kitchen the perfect meeting place, unique designs that make it a avant-garde space and that, without realizing it, will become your accomplice in unique and unrepeatabe encounters.

At FRECAN we seek perfection in our designs, excellence in performance and comfort at the core in each product.

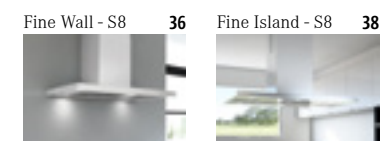
We invite you to browse our pages and let yourself be guided by them.



*Every passing day closer to you,
Better connected,
More present worldwide.*

Technical information

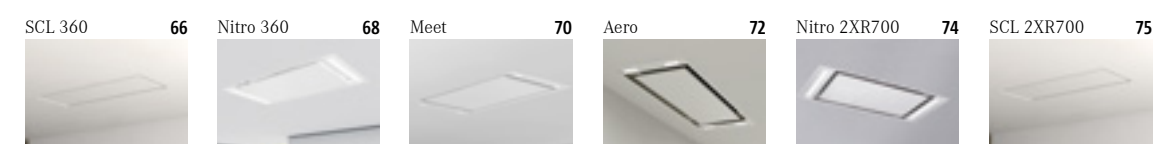
FSR
Frecan Silence
Range



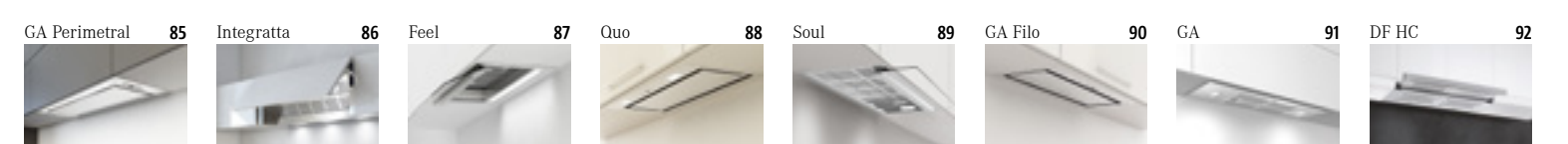
Surface
Hoods



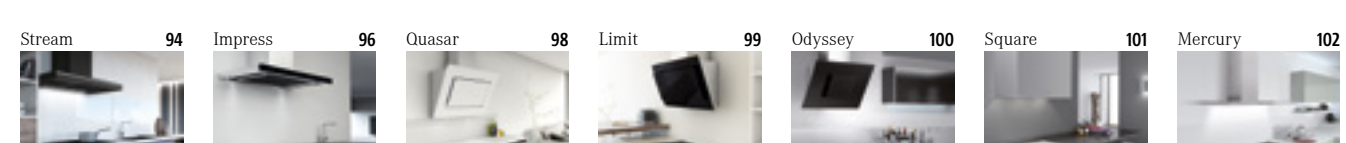
Ceiling
Hoods



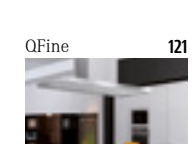
Built-in
Hoods



Wall
Hoods



Island
Hoods



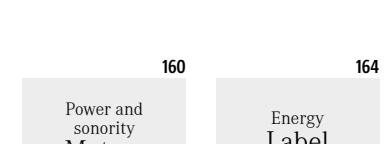
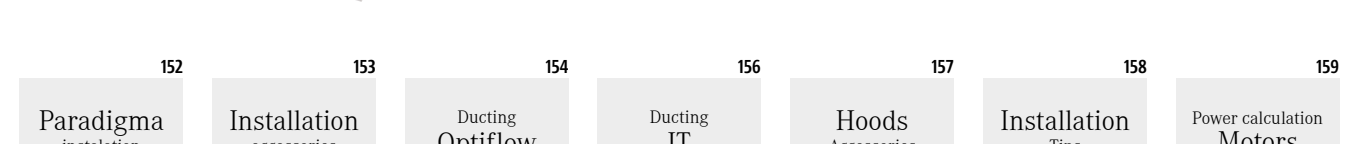
Vintage
Hoods



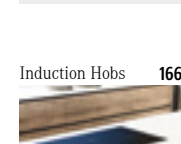
Purified
solutions
for your kitchen



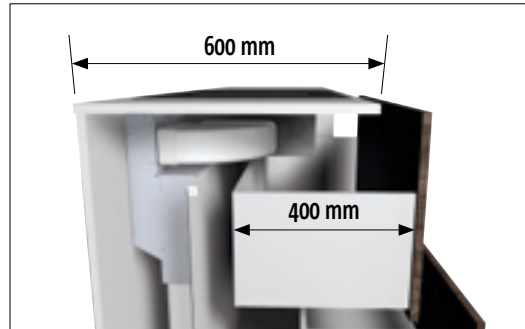
Information,
Accessories and
Complements



Hobs



Installable in minimum 60 cm depth cabinets.



Compact design and narrow structural body. Our surface hoods can be installed not only on island kitchens, but also on wall mounted kitchens with 60cm depth. Drawers of maximum 40cm deep can be installed.

Steerable “Plug & Play System” motors for ceiling hoods.



R700



R1100GP

FRECAN “Plug & Play” steerable motors simplifies installation and enables multiple ducting possibilities.

- Plug&Play R700 (4 directions)
- Plug&Play 1100GP (5 directions)

Depending on the motor choice, a greater or lesser suspended ceiling measurement will be required.

Remote control & wall control panel



Remote

Many models (especially ceiling models) are equipped with remote control.

The remote control included in all ceiling models is charged through a USB that is included.

In addition, there is the possibility of installing a wall-mounted control panel for ceiling hoods to control the hood without the use of a remote control. Exclusively available for ceiling hoods with motor R1000 (see page 157).

Electronic Controls



Last-time



FSA

Timer and thermometer.

Our semi-professional cooker hoods are equipped with an electronic control that incorporates a timer and thermometer

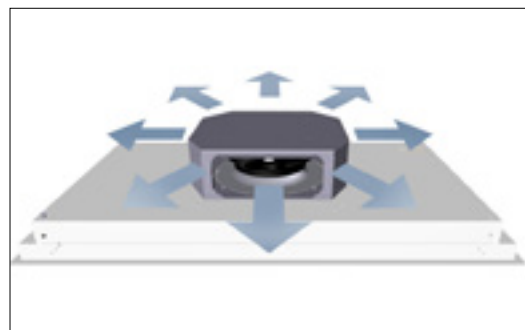
Deferred stop (LastTime).

By connecting the last time function the hood will keep on running for 10 minutes and will automatically disconnect after recycling or extracting the air of your kitchen.

Saturation filters alarm.

Flashing light that indicates when filters need cleaning in the case of cooker hoods with external evacuation, and the replacement of charcoal filters in case of recirculation hoods.

360° rotary motor



The 360° rotary motor allows the extraction ducts to be installed in any direction, permitting ease of installation even in wall kitchens, where the ceiling hood is installed closer to the wall.

This rotary system puts an end to problems and obstacles that are often present in suspended ceilings.

Easy Fix installation



EASY-FIX

Many of our ceiling hoods models have mounting clips, so they can be installed easily, quickly and effortlessly.

Just connect the motor to the ducting, raise the hood by pushing it until you hear a few “clicks” which confirm the hood is suspended, then tighten the tensioning screws to firmly fix and flush-mount the hood to the suspended ceiling.

Grease filters

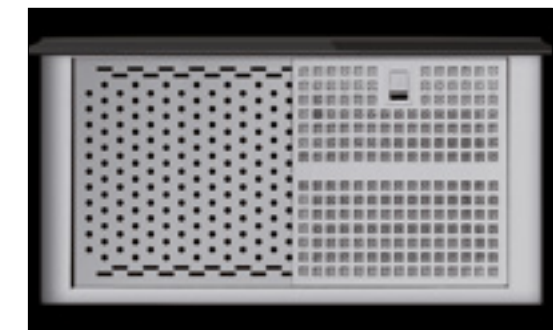


Standard stainless steel filters: Frecan standard stainless steel filters are formed by 5 aluminium filter layers plus a decorative stainless steel casing. (5+1)

High Class stainless steel filters: The High Class stainless steel filters are formed by 7 aluminium filter layers plus a front and rear decorative stainless steel casing (7+2). Frecan has designed this filter to retain a greater amount of grease without reducing the extraction capacity of the hood.

Color lacquered Aluminium filters. Filters lacquered in white or black provide great elegance to all hood models in these colors. In addition, the lacquer is of great hardness and allows for its washing in the washing machine.

Easy cleaning panel



EASY-CLEAN

The easy clean is a stainless steel panel installed between the hood filters and the hood motor.

This panel is defined to provide easy cleaning surface and also serves as a security border to keep the user away from the hood motor and electric parts. This is detachable for when a deeper cleaning of the hood interior is required.

Technical information

FRECAN

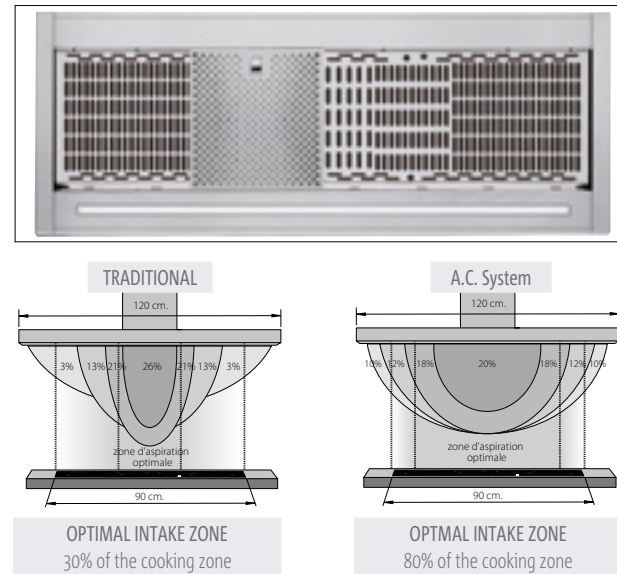
Balanced Aspiration Bal. Asp.

This type of aspiration, exclusive patent of FRECAN, provides the user with a greater suction power at the ends of the hood, since thanks to its micro-perforated inner plate made of stainless steel we achieve regular absorption on the entire surface of the filters.

This type of aspiration is highly effective for hoods of dimension 120 cm and Island hoods.

This System applied in our product range with the indicative A.C. System (Compensation Aspiration), provides us with an easy cleaning due to the fact that the iron placed after the filters forms an impenetrable barrier for grease, which means that the interior part is always clean.

Furthermore, the system is designed to make it impossible to access the mechanical and electrical parts of the hood, thus guaranteeing the user's safety when cleaning.



BA
system

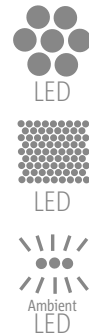
Easy installation system for Island hoods.



EASY
INSTALL

Thanks to the 2-piece decorative tubes, the hood is installed in 4 easy steps: First the structure is installed, second the hood body is fixed to the structure, third the upper tube is installed by joining its 2 parts with the fixing screws and screwing it to the roof of the structure and finally the 2 parts of the tube are placed lower fitting one inside the other and are fixed to the hood from inside the hood.

LED lighting



Unlike other lamps that convert energy into heat, LED technology transforms energy directly into light.

Frecan hoods are equipped with led lights between 2700K and 3000 K, a warm temperature of light that creates the right atmosphere for the kitchen.

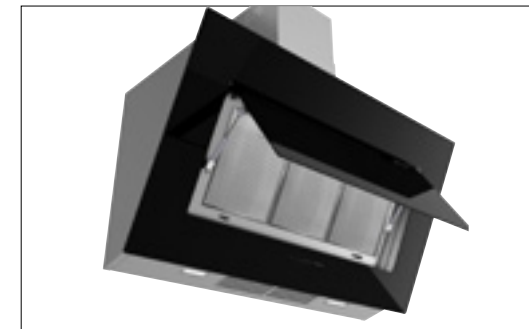
Most of the ceiling models have dimmable LEDs selectors to adjust the light in 3 different colours (5500k, 4000k, 2700k).

LED lamps are very resistant and with a very long utility life (up to 50 times more than a conventional lamp) and considerably less consumption.

Technical information

FRECAN

Double aspiration system SDA



SDA

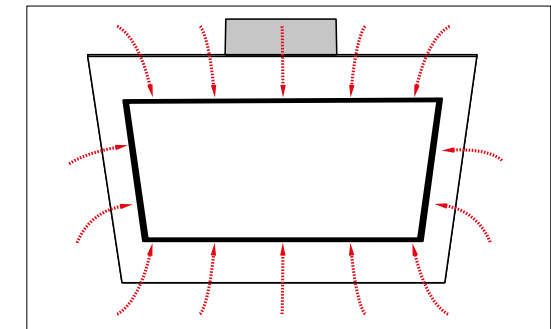
The FRECAN double aspiration system is designed to ensure optimum aspiration for wall inclined hoods

This system comprises an additional air outlet at the bottom, which prevents the leakage of fumes and makes it possible to work with the hood closed, guaranteeing perfect aspiration.

This feature enhances hood performance while reduces condensation.



Perimetral aspiration



For those who really believe that design is not incompatible with efficiency.

An alternative to traditional aspiration is based on the Venturi effect. The system consists of compressing and speeding up the air by creating a depression in the slot perimeter of the aspiration surface of the hood. This effect facilitates the capture and filtering of gases generated by cooking.

The main advantages of perimetral aspiration are; aesthetics, easy cleaning and low noise level.

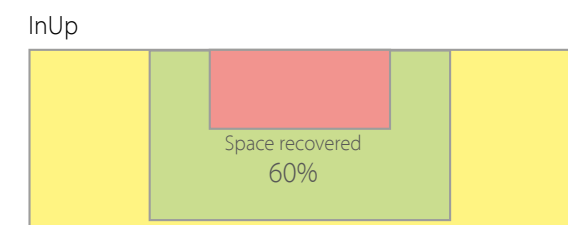
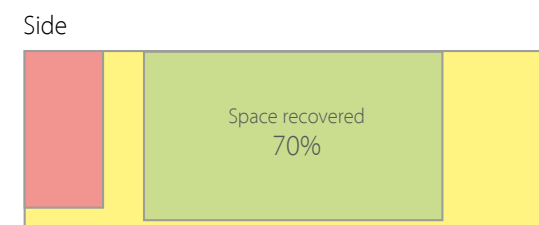
Save Space

Thanks to its decoupled (InUp) or rotary (Side) motor, the InUp and Side models of FRECAN recover 60% and 70% of space respectively in the lower and middle part of the cabinet compared to a traditional built-in hood.

Whereas some built-in hoods barely leave any space for storing spices in your top cabinet, FRECAN InUp and Side hoods reclaim useful kitchen space.

In an above view of the low and middle area of the hood we can see represented in green in a standard built-in hood the space recovered occupied by the engine.

The only space not available is the one marked in red, recovering from 60% to 70% of the space in the kitchen cabinet.



Save-space

Technical information

FRECAN

Stainless steel AISI 304 of 1mm



1 S/S
304
mm

All Frecan hoods are built with the highest quality both in terms of process and materials, using 304 stainless steel to ensure the durability of our products. The most demanding models in our catalogue are made of stainless steel with a thickness of 1 mm instead of the standard 0.8 mm thickness, to provide a more robust and durable product.

Custom made hoods Frecan



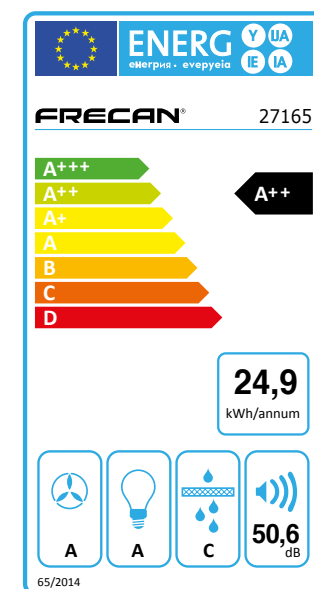
Freca offers the possibility of customising some of our most important models, combining cutting-edge technology and craftsmanship.

Contact Frecan sales team.

FRECAN engaged with the planet



We offer the highest energy performance while respecting the environment. We are strongly committed to energy efficiency, innovation and the latest technologies. Our hoods have lighting and low-voltage motors, the most silent motors, the most efficient electronics and great extraction power.



Developing extractor hoods environmentally friendly.

The energy label allows the consumer to know the efficiency of a household appliance.
SEE LIST

Freca Silence Range



Where performance
and silence finally meet

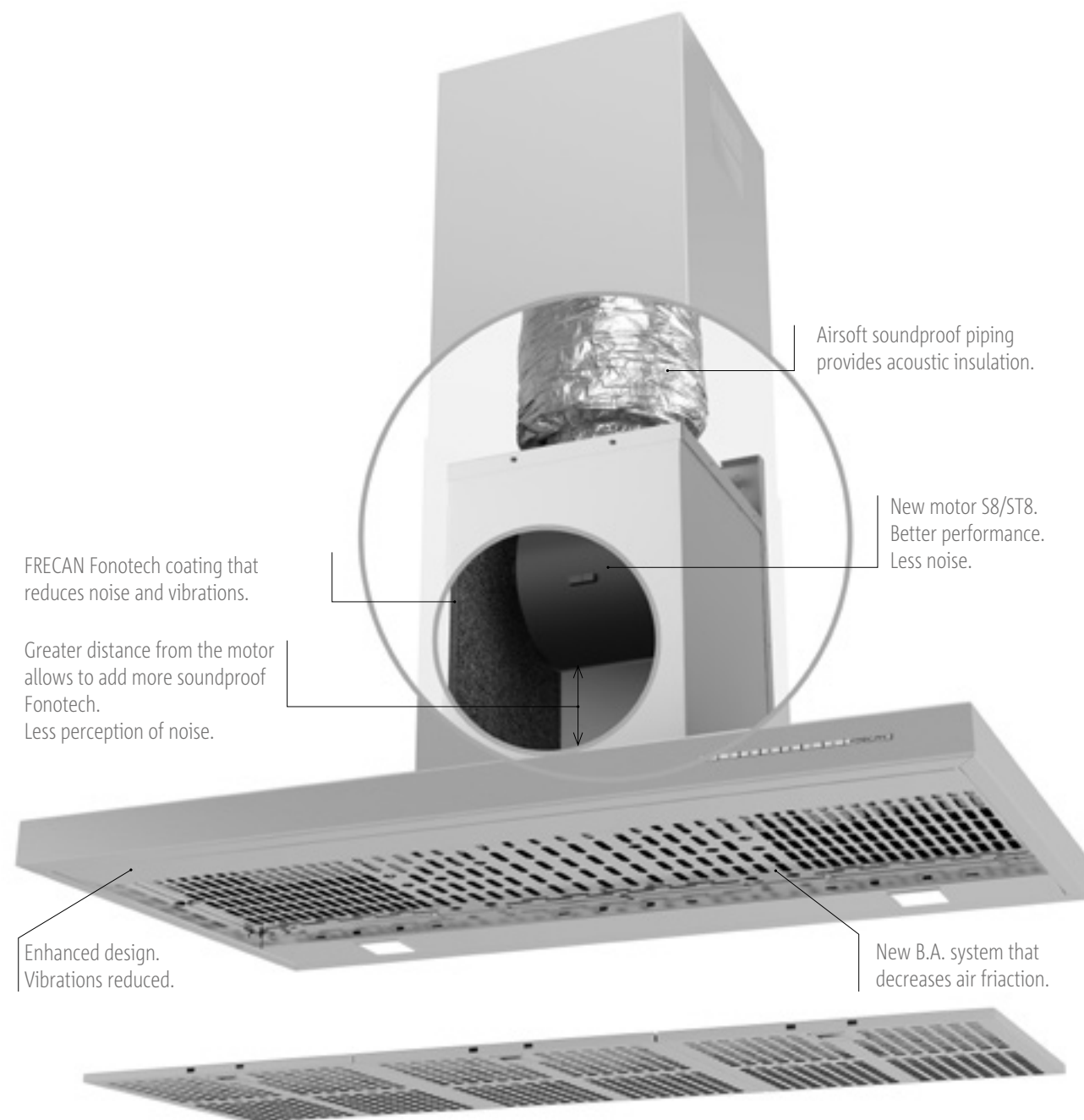
Choose well-being - Choose Silence

FRECAN improves its best models to enhance their performance by achieving significant noise reductions. The above results in extremely silent hoods that eliminate fumes and odours with total efficiency.

Enjoy cooking without distractions.



Revolutionary construction



“Re-evolutioned” Silence - FRECAN Fonotechnology



Motor S8/ST8 (A+)/(A++): Clean air is an essential factor in increasing our quality of life.

Particularly in places where culinary arts have an effect on ambient air conditions, with EBM-papst S8 and ST8 motors we provide the necessary air movement, with perfect noise behavior, even at high performance levels.

FRECAN Fonotech: In some of the Frecan Silence catalogue models the motor compartments have a 9mm-thick panels made from vibration damping material that isolate noise and vibrations.

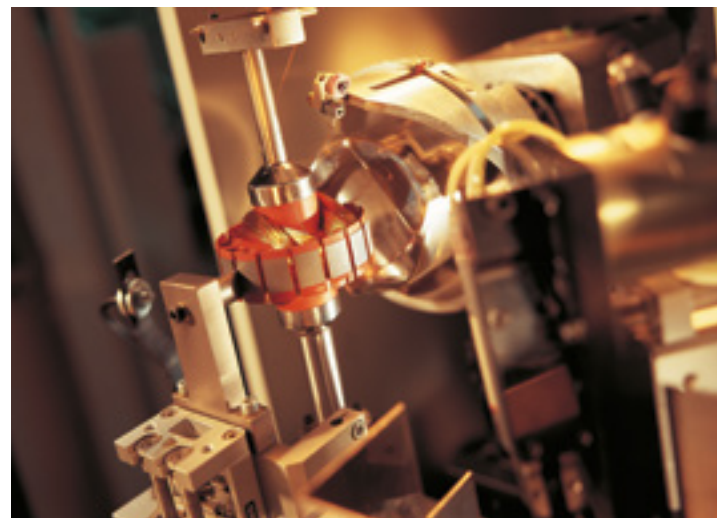
Acoustic insulation using polyurethane binder particles with different properties, duly controlled with a special acoustic additive that reduces noise.

Airsoft: The materials of which the soundproofing tubes are made produce a high acoustic damping for a wide range of frequencies, especially the highest frequencies that are the most disturbing to the human hearing.

The thermoplastic and fire retardant inner fabric prevents the mineral wool particles from penetrating into the transported air, guaranteeing total safety.



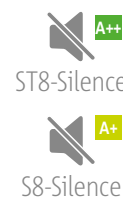
The perfect balance: Maximum performance, minimum noise, best comfort



German engineering with 7 years warranty - Total trust

Inside our silent hoods beat the new S8 and ST8 motors developed by EBM-papst, the largest and most important German engine manufacturer.

With the new S8 and ST8 motor of EBM-papst we provide the necessary air movement, with a perfect noise behavior, even at high levels of performance. It lowers up to **17%** (4.8dB) the noise compared to our standard motors.

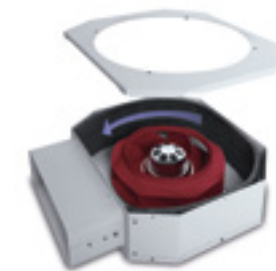


Frecan Fonotech - Excellent acoustic absorption.

Several models of the Frecan Silence range incorporate 9mm anti-vibration panels in their motor boxes that isolate noise and vibrations.

Acoustic insulation through a cohesive sheet of polyurethane particles with different properties that has been accurately treated with a special acoustic additive to reduce the noise.

It reduces noise levels up to **4%** (1dB) on hoods like HIT or 360 Ceiling Hoods and up to **6,5%** (1.8dB) on the FINE hood.



Several models of the Frecan Silence range incorporate 9mm anti-vibration panels in their motor boxes that isolate noise and vibrations.

The Fonotech material improves the air flow, reduces frictions and turbulences in the motor box and, therefore, decreases the noise significantly.

Frecan AirSoft - Silencing ducting.

The new "Silence" range of Frecan hoods are equipped with Airsoft silencing ducting.

Airsoft 1: Wall mounted and Island hoods include flexible ducting of 60cm (45cm in the case of Quasar-S8 and Fine-S8) made of thermoplastic material, reinforced with steel spirals, insulated with mineral wool of 25mm thickness and protected by an external layer of aluminium.

Airsoft 2: The Ceiling hoods include a 25mm. thick rigid panel of mineral wool, with an external layer of aluminium and an internal coating of deadening material.



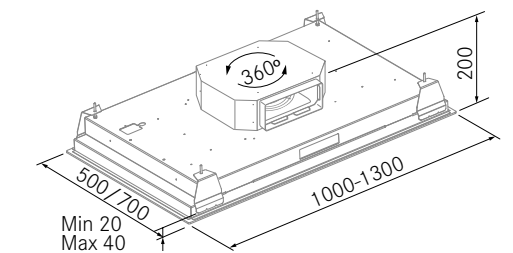
The ducting **Airsoft 1** reduces up to **11%** (3dB) the noise perception from the hood

The piping **Airsoft 2** reduces up to **15%** (4dB) the noise perception from the hood.



Technical design

Output 220 x 90 mm. or Ø150 mm. (External dimensions)
Cut-out dimension 970 x 475 mm or 1270 x 680 mm.



Min 20
Max 40
• 70 cm Airsoft 2. + flat-round adapter included.

The SCL 360 - S hood is only installed on a suspended ceiling, for this the suspended ceiling must be able to support a weight of 30 kg. for the 1000 mm and 35 Kg model for the 1300 mm model.

Versions/Technical data

Dimensions (mm)	Finishig	Aluminium filters	Motor	Motor Airflow (m ³ /h) o PA	Max Consumption (W)	Booster		Data in 3rd speed*		S** (3rd s.)	SILENCE
						Flow (m ³ /h)	Flow (m ³ /h)	(Lw) Power (dB(A))	(Lp) Pressure (dB(A))	(Lp) Pressure (dB(A))	Ref.
1000 x 500	Stainless steel	3	R1000GP	1000	85	682	527	58	48	44	27039
1000 x 500	White	3	R1000GP	1000	85	682	527	58	48	44	27040
1300 x 700	Stainless steel	5	R1000GP	1000	85	670	516	59	48	44	27041
1300 x 700	White	5	R1000GP	1000	85	670	516	59	48	44	27042

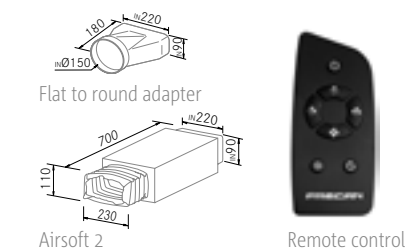
** Data with Airsoft 2 installed.



Technical information

- Finishing stainless steel or white lacquered RAL 9003.
- Silence Plus R1000GP fan (A+).
- Soundproofed motor box with Fonotech.
- 70 cm AirSoft 2 silencer duct.
- Deferred stop (Last Time).
- Perimetral aspiration.
- 3 speeds +Booster.
- Optional recirculation.

Included accessories



Optional accessories

	Ref.
Flat plasma filter F800	90373
Plasma filter C600 + R-Box	90374
Recirculation Box-R round ducting H1	90268
Recirculation Box-R flat ducting H2	90269
Carbon filter FC Plus ceiling	90384
Suspended ceiling grid	90375

Compatible ducting see page 156



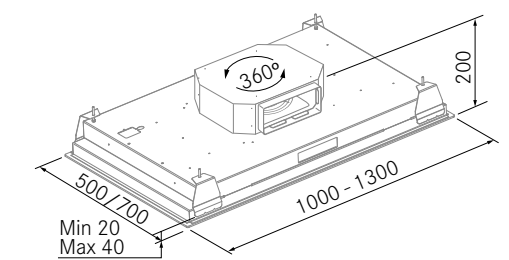
Remote control



The Nitro 360 hood is only installed on a suspended ceiling, for this the suspended ceiling must be able to support a weight of 30 kg. for the 1000 mm and 35 Kg model for the 1300 mm model.

Technical design

Outlet 220x90 mm. or Ø150 mm. (External dimensions)
Cut-out dimension 970 x 475 mm. or 1270 x 670 mm.



• 70 cm Airsoft 2. + flat-round adapter included.

Versions/Technical data

Dimensions (mm)	Finishing	Aluminium filters	LED strip	Motor	Motor Airflow (m ³ /h) o PA	Max Consumption (W)	Booster		Data in 3rd speed*			SILENCE
							Flow (m ³ /h)	Flow (m ³ /h)	(Lw) Power (dB(A))	(Lp) Pressure (dB(A))	S** (3rd s.) (Lp) Pressure (dB(A))	
1000 x 500	S/S	3	2	R1000GP	1000	95	682	527	61	51	47	27045
1000 x 500	White	3	2	R1000GP	1000	95	682	527	61	51	47	27046
1300 x 700	S/S	4	2	R1000GP	1000	95	670	530	59	48	44	27047
1300 x 700	White	4	2	R1000GP	1000	95	670	530	59	48	44	27048

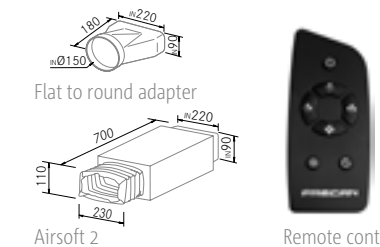
** Data with Airsoft 2 installed.



Technical information

- Stainless steel or white Ral 9003 finish.
- Silence PLUS R1000GP fan (A+).
- Soundproofed motor box with Fonotech.
- AirSoft 2 silencer ducting of 70 cm.
- LED lighting with 3 tone dimmer: 2700k/4000/5500k
- Deferred stop (Last Time).
- Perimetral aspiration.
- 3 speeds + Booster.
- Optional recirculation.

Included accessories



Optional accessories

Optional accessories	Ref.
Flat plasma filter F800	90373
Plasma filter C600 + R-Box	90374
Recirculation Box-R round ducting H1	90268
Recirculation Box-R flat ducting H2	90269
Carbon filter FC Plus ceiling	90384
Suspended ceiling grid	90375

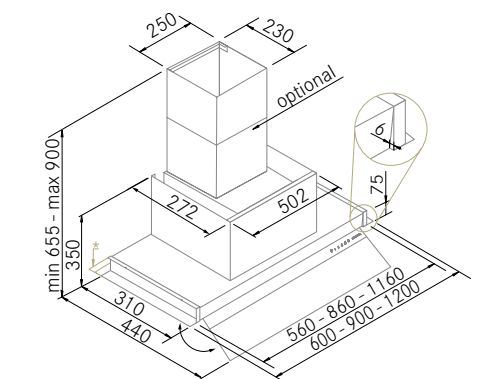
Compatible ducting see page 156

*La mesure du DÉBIT MOTEUR « 0 Pa » indique les valeurs en m³/h à échappement libre, tandis que la mesure du 3ème DÉBIT indique les valeurs selon la norme UNE-EN61591. Étiquetage énergétique, voir référence à la page 164. Les prix sont des P.V.R. (Prix de vente public) sans TVA.



Technical design

Outlet 150 mm.



- Airsoft 1 of 60 cm. included.
- * Depth adapter spacer included. From 330 to 350 mm
- Optional extensible top chimney.

Versions/Technical data

Dimensions (mm)	Finishing	Filters S/S	LED strip	Motor Airflow (m ³ /h) o PA	Max Consumption (W)	Data in 3rd speed*			S** (3rd s.)	SILENCE	
						Caudal (m ³ /h)	(Lw) Power (dB(A))	(Lp) Pressure (dB(A))	(Lp) Pressure (dB(A))	Motor	Ref.
600 x 310	Stainless steel	1	1	815	103	502	56	46	43	S8	27230
900 x 310	Stainless steel	2	1	815	103	539	56	46	43	S8	27231
900 x 310	Black matt	2	1	815	103	539	56	46	43	S8	27232
1200 x 310	Stainless steel	4	2	815	105	565	58	48	45	S8	27233

** Data with Airsoft 1 installed.



Technical information

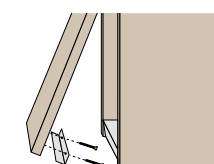
- Stainless steel finish with transparent glass visor.
- Matt black finish with dark smoked glass visor.
- Hood body & motor box finished in stainless steel or black.
- S8 silent motor (A+).
- Armored motor box, security and easy cleaning panel.
- Soundproofed motor box with Fonotech.
- Touch Control keypad on the visor.
- 60 cm AirSoft 1 silencer duct.
- LED stripe lighting (5W/meter - 2700K).
- Deferred stop (Last time).
- Saturation filter alarm.
- Perimetral & traditional aspiration.
- 3 speeds + Booster.
- Optional recirculation.

Included accessories

	Ref.
Cylindric Plasma filter C1000	90371
Cylindric Plasma filter C600	90372
Carbon Filter FC-Plus	90381
"L" DOUBLE door protector 600	90297
"L" DOUBLE door protector 900	90298
"L" DOUBLE door protector 1200	90299
Decorative chimney with adjustable height	90221

Ducting pipes see page 156

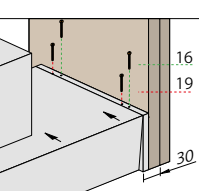
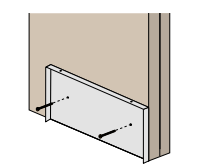
"L" door protection



Includes reversible profile 19 x 16 mm.

*Furniture 2 doors optional accessory

Easy installation



Feel - Frecan SILENCE Range

FRECAN



Feel - Frecan SILENCE Range

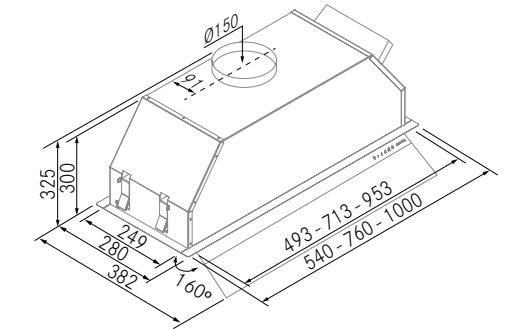
FRECAN



A+

Technical design

Outlet 150 mm.
Cut-out: 510 x 259 mm. - 730 x 259 mm. - 970 x 259 mm.



• Airsoft 1 of 60 cm. included.



Versions/Technical data

Dimensions (mm)	Filters S/S	Leds Stips	Motor Flow (m³/h) @ PA	Max Consumption (W)	Data in 3rd speed*			S** (3rd s.) (Lp) Pressure (dB(A))	SILENCE	
					Flow (m³/h)	(Lw) Power (dB(A))	(Lp) Pressure (dB(A))		Motor	Ref.
540 x 280	1	1	815	107	520	56	46	43	S8	27025
760 x 280	2	1	815	107	621	58	48	45	S8	27026
1000 x 280	3	1	815	110	667	58	49	46	S8	27027

** Data with Airsoft 1 installed.



Technical information

- Finishing in stainless steel.
- Transparent glass visor.
- S8 silent motor (A+).
- Armored motor box, security and easy cleaning panel.
- Touch Control.
- 60 cm AirSoft 1 silencer duct.
- LED light stripe (5W/meter - 2700K).
- Deferred stop (Last time).
- Saturation filter alarm.
- Perimetral & traditional aspiration.
- 3 speeds + Booster.
- Optional recirculation.

Included accessories

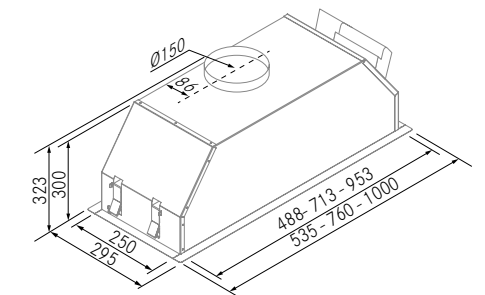
	Ref.
Cylindric Plasma filter C1000	90371
Cylindric Plasma filter C600	90372
Carbon Filter FC-Plus	90381
Ducting pipes see page 156	



A++

Technical design

Outlet 150 mm.
Cut-out 500 x 259 mm. - 730 x 259 mm. - 970 x 259 mm.



• Airsoft 1 of 60 cm. included.

Versions/Technical data

Dimensions (mm)	Aluminium filters	LED lighting	Motor	Motor Flow (m ³ /h) 0 PA	Max Consumption (W)	Data in 3rd speed*			S** (3rd s.)	SILENCE
						Flow (m ³ /h)	(Lw) Power (dB(A))	(Lp) Pressure (dB(A))	(Lp) Pressure (dB(A))	Ref.
560 x 295	2	2	S8	815	103	615	57	47	44	27028
760 x 295	3	2	S8	815	103	647	58	48	45	27029
1000 x 295	4	2	S8	815	103	704	58	47	44	27030

** Data with Airsoft 1 installed.

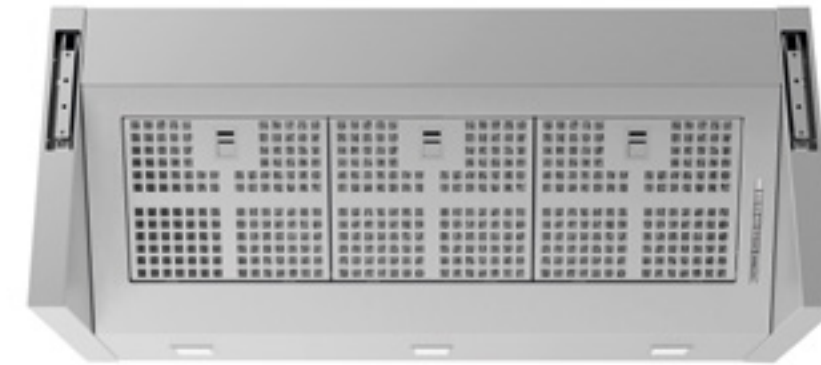


Technical information

- Finishing stainless steel AISI 304.
- S8 silent motor (A+).
- Touch control.
- 60 cm AirSoft 1 silencer duct.
- Deferred stop (Last time).
- Saturation filter alarm.
- LED lighting spotlights (1,2W - 3000K).
- 3 speeds + Booster.
- Remote control included.
- Optional recirculation.

Included accessories

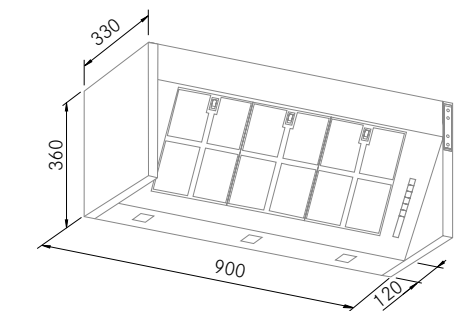
	Ref.
Cylindric Plasma filter C1000	90371
Cylindric Plasma filter C600	90372
Carbon Filter FC-Plus	90381
Ducting pipes see page 156	



A+

Technical design

Outlet 150 mm.



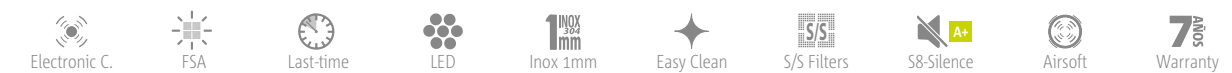
- Airsoft 1 of 60 cm. included.
- * 350mm depth adjuster upon request

Allow uppers cabinets over it.

Versions/Technical data

Dimensions (mm)	High (mm)	Filters S/S	LED lighting	Motor	Motor Flow m³/h @ 0 PA	Max Consumption (W)	Data in 3rd speed*			S** (3rd s.)	SILENCE
							Flow (m³/h)	(Lw) Power (dB(A))	(Lp) Pressure (dB(A))	(Lp) Pressure (dB(A))	Ref.
900 x 330	360	3	3	S8	815	106	661	58	49	46	26001

** Data with Airsoft 1 installed.

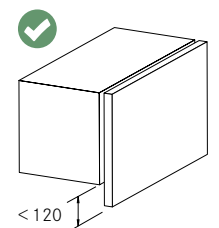


Technical information

- Finishing stainless steel AISI 304.
- S8 silent motor (A+).
- Touch control.
- 60 cm AirSoft 1 silencer duct.
- Oil recycling tray included.
- Deferred stop (Last time).
- Saturation filter alarm.
- LED lighting spotlights (2,1W - 3000K).
- Easy clean panel.
- 3 speeds + Booster.
- Blum hinges.
- Rear ducting available.
- Optional recirculation.

Included accessories

	Ref.
Cylindric Plasma filter C1000	90371
Cylindric Plasma filter C600	90372
Carbon Filter FC-Plus	90381
Ducting pipes see page 156	



The door hinges are defined for the weight of a standard door, not to exceed its height by more than 12 cm. High.



Watch video
Top outlet



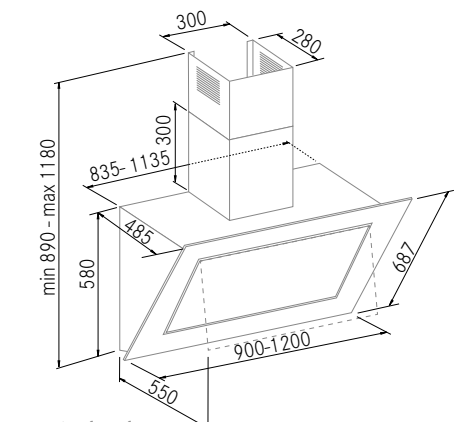
Watch video
Rear Exit



A++

Technical design

Outlet 150 mm.



+ Airsoft 1 of 45 cm.

Double aspiration system SDA



Versions/Technical data

Dimensions (mm)	Finishing	Filters		LED lighting	Motor Flow (m³/h) @ PA	Max Consumption (W)	Data in 3rd speed*			S** (3rd s.)	SILENCE	
		Aluminium	S/S				Flow (m³/h)	(Lw) Power (dB(A))	(Lp) Pressure (dB(A))	(Lp) Pressure (dB(A))	Motor	Ref.
900	White	2	1	2	815	104	654	53	43	40	S8	27031
900	Black	2	1	2	815	104	654	53	43	40	S8	27032
1200	White	3	1	2	815	104	649	60	50	47	S8	27033
1200	Black	3	1	2	815	104	649	60	50	47	S8	27034

** Data with Airsoft 1 installed.



Technical information

- Finishing stainless steel & White or Black Glass. (RAL 9003/9005).
- S8 silent motor (A+).
- Touch Control.
- AirSoft 1 silencer ducting of 45 cm.
- Door opening pistons.
- Deferred stop (Last time).
- Saturation filter alarm.
- LED lighting spotlights (1,3W - 3000K).
- Double aspiration system SDA.
- Perimetral & traditional aspiration.
- 3 speeds + Booster.
- Easy clean panel.
- Rear ducting available.
- Optional recirculation.

Included accessories

	Ref.
Cylindric Plasma filter C1000	90371
Cylindric Plasma filter C600	90372
Carbon Filter FC-Plus	90381
<i>Ducting pipes see page 156</i>	

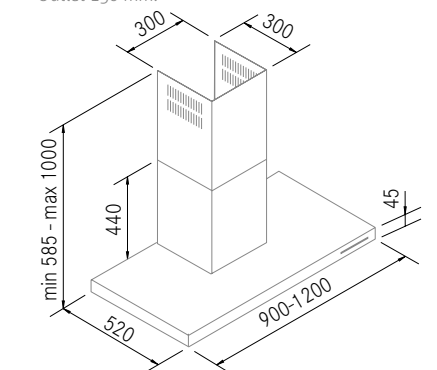
*La mesure du DÉBIT MOTEUR « 0 Pa » indique les valeurs en m³/h à échappement libre, tandis que la mesure du 3ème DÉBIT indique les valeurs selon la norme UNE-EN61591. Étiquetage énergétique, voir référence à la page 164. Les prix sont des P.V.R. (Prix de vente public) sans TVA.



A++

Technical design

Outlet 150 mm.



+ Airsoft 1 of 45 cm.

Balanced Aspiration System



Versions/Technical data

Dimensions (mm)	Filters S/S	LED lighting	Motor Flow (m³/h) @ PA	Max Consumption (W)	Data in 3rd speed*			S** (3rd s.)	SILENCE	
					Flow (m³/h)	(Lw) Power (dB(A))	(Lp) Pressure (dB(A))	(Lp) Pressure (dB(A))	Motor	Ref.
900	3	2	815	104	524	59	49	46	58	27035
1200	4	3	815	106	639	58	48	45	58	27036

** Data with Airsoft 1 installed.



Ultra thin touch control

Technical information

- Finishing stainless steel AISI 304 - 1mm.
- S8 silent motor (A+).
- Touch control.
- Soundproofed motor box with Fonotech.
- AirSoft 1 silencer ducting of 45 cm.
- Deferred stop (Last time).
- Saturation filter alarm.
- LED lighting spotlights (1,3W - 3000K).
- A.C. System (balanced aspiration).
- 3 speeds + Booster.
- Optional recirculation.

Included accessories

	Ref.
Cylindric Plasma filter C1000*	90371
* Accessory necessary for installation Plasma C1000	90198
Cylindric Plasma filter C600	90372
Carbon Filter FC-Plus	90381
Carbon filter	90133

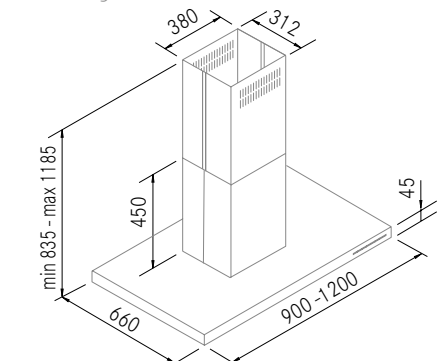
Ducting pipes see page 156



A++

Technical design

Outlet 150 mm.



+ Airsoft 1 of 45 cm.

Balanced Aspiration System



Versions/Technical data

Dimensions (mm)	Filters S/S	LED lighting	Motor Flow (m³/h) @ PA	Max Consumption (W)	Data in 3rd speed*			S** (3rd s.)	SILENCE	
					Flow (m³/h)	(Lw) Power (dB(A))	(Lp) Pressure (dB(A))	(Lp) Pressure (dB(A))	Motor	Ref.
900	3	4	815	108	542	58	48	45	S8	27037
1200	4	6	815	113	619	58	49	46	S8	27038

** Data with Airsoft 1 installed.



Ultra thin touch control

Technical information

- Finishing stainless steel AISI 304 - 1mm.
- S8 silent motor (A+).
- Touch control.
- Soundproofed motor box with Fonotech.
- AirSoft 1 silencer ducting of 45 cm.
- Deferred stop (Last time).
- Saturation filter alarm.
- LED lighting spotlights (1,3W - 3000K)
- A.C. System (balanced aspiration).
- 3 speeds + Booster.
- Optional recirculation.

Included accessories

	Ref.
Cylindric Plasma filter C1000	90371
Cylindric Plasma filter C600	90372
Carbon Filter FC-Plus	90381
Carbon filter	90185

Ducting pipes see page 156

Surface Hoods

Flow 1 - Surface Hoods

FRECAN



Flow 1 - Surface Hoods

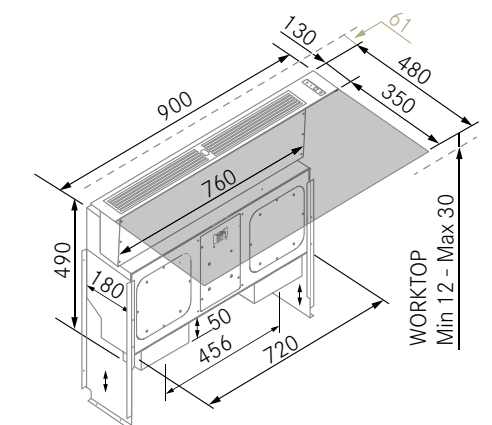
FRECAN



Due to the type of aspiration, the use of pans over 12 cm height is not recommended.

Technical design

900 - Outlet 2 x 220 x 90 mm. (External dimensions)
 Cut-out: 875 x 462 mm. Flushed dimensions: See pg. 48
 Ideal dimensions for installation in wall-mounted kitchens
 Requires 2 plugs (Hob & Hob). It's recommended to place a differential separately for the hob.



Leave a fix space of 61mm from the wall to the edge of the hood and 69mm to the cut out.
 More information about the installation on page 48.

Flow - 1 (hood)

Technical data

Dimensions (mm)	Aluminium filters	Motor
900	2	2 x R700 220 x 90
		Ref. 26032



Technical information

- Double Motor R700.
- Finishing stainless steel.
- Silence fan.
- Touch control.
- Deferred stop (Last Time).
- Installation flush mounted or inset.
- Removable tray collector for liquids.
- 3 speeds + booster.
- Optional Recirculation.
- Possibility of installation in Wall-mounted kitchens

Included accessories

3 meters of flexible ducting

Optional accessories

	Ref.
Flat plasma filter F800	90373
Recirculation Box-R socle	90267
Nozzle Flow	90270
Socle grid	90376
Ducting and accessories (see p.156)	

G5 900 Bridge (hob)

Technical data

Dimensions (mm)	Color	Nº Zones	Power
900	White	4	7400W 4 x (220 x 180)
900	Black Kerastate	4	Ref. 51137

Technical information

- 4 cooking induction zones.
- Bridge function.
- Slider touch control.
- 9 power levels.
- Function Power Boost.
- Timer function.
- Auto protect detection.
- Go & Stop.
- Residual heat indicator.
- Security lock.
- EGO components.

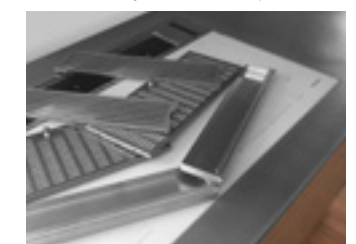
Description

- HOB 4 cooking zones.
- Total sizes: 900 x 350 mm.
- Cut Out sizes: 860 x 330 mm.

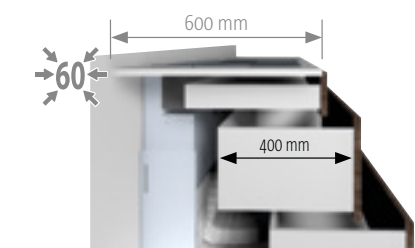
Cooking Zones

- 4 zones 220 X 180 mm. 2100 W.
- Power Boost 3700 W
- Bridges in 2 zones groups.
- TOTAL POWER 7400 W

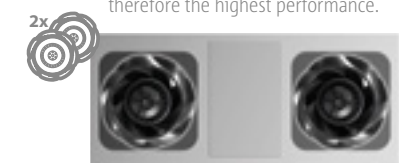
Removable tray collector for liquids



The small dimension of the hood body allow its installation in 60 cm. cabinets and the installation of max. 40 cm. depth drawers.



Double turbine ensures maximum airflow and therefore the highest performance.



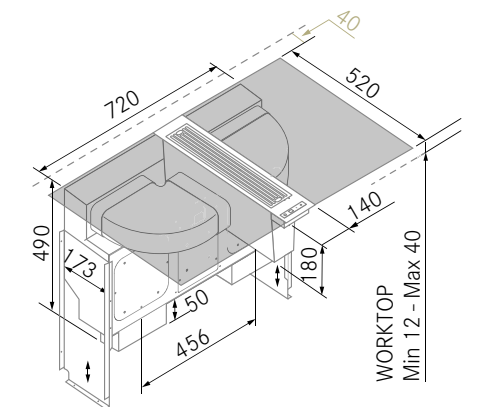
Maximum extraction flow rate at minimum noise level.

Its installation in Wall hoods does not require a furniture back.



Technical design

900 - Outlet 2 x 220 x 90 mm. (External dimensions)
 Cut-out 880 x 500 mm. Flushed dimensions: See pg. 48
 Ideal dimensions for installation in wall-mounted kitchens
 Requires 1 plug. It's recommended to place a differential separately for the hob.



Leave a fix space of 40 mm from the wall to the edge of the hood and 50 mm to the cut out
 More information about the installation on page 48.

Due to the type of aspiration, the use of pans over 12 cm height is not recommended.
 Allows installation only with 2 dominoes, one on each side of the hood. Not recommended for Gas dominoes, deep fryers or Grills.

Technical data

Size (mm)	Aluminium filters	Motor
140	2	2 x R700 220 x 90
		Ref. 26033



Technical information

- 2 fans R700.
- Stainless steel finish.
- Silence Motors.
- Touch Control.
- Deferred stop (Last Time).
- Installation flush mounted or inset.
- Removable tray collector for liquids.
- 3 speeds + Booster.
- Optional recirculation.
- Possibility of installation in Wall-mounted kitchens

Included accessories

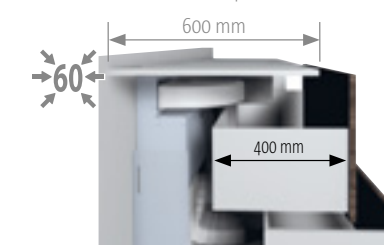
3 meters of flexible ducting

Optional accessories

Flat plasma filter F800	Ref. 90373
Recirculation Box-R socle	90267
Nozzle Flow	90270
Socle grid	90376

Compatible ducting see page 156

The small dimension of the hood body allow its installation in 60 cm. cabinets and the installation of 40 cm. depth drawers.

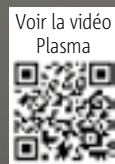


Double turbine ensures maximum airflow and therefore the highest performance.



Maximum extraction flow rate at minimum noise level.

Its installation in Wall hoods does not require a furniture back panel.



Due to the type of aspiration, the use of pans over 12 cm height is not recommended.

Technical data

Size (mm)	Grid	Aluminium filters	Motor
780	Black	2	R800 220 x 90
			Ref. 26037



Hood

Technical information

- Motor R800.
- Stainless steel finish.
- Silent motor.
- Touch Control.
- Deferred stop (Last Time).
- Installation flush mounted or inset.
- Removable tray collector for liquids.
- 3 speeds + Booster.
- Optional recirculation.
- Possibility of installation in Wall-mounted kitchens.

Optional accessories

	Ref.
Flat plasma filter F800	90373
Recirculation Box-R socle	90267
Socle grid	90376

Compatible ducting see page 156

Hob

Technical information

- 4 cooking induction zones.
- Bridge function.
- Slider touch control.
- 9 power levels.
- Function Power Boost.
- Timer function.
- Auto protect detection.
- Go & Stop.
- Residual heat indicator.
- Security lock.
- EGO components

Description

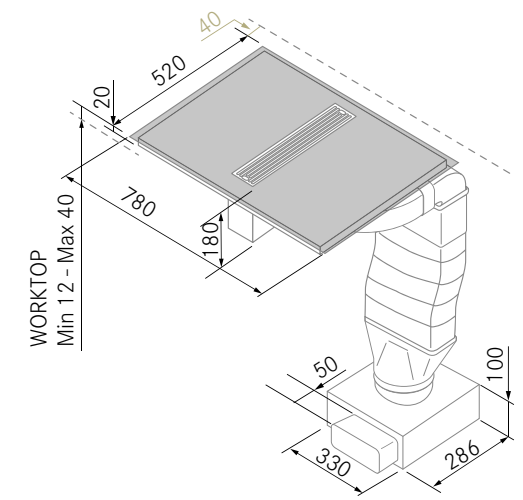
- HOB 4 cooking zones
- Total size: 780 x 520 mm. (r=5)
- Cut Out Sizes: 750 x 504 mm.

Cooking Zones

- 4 zones 220 X 180 mm. 2100 W.
- Power Boost 3700 W
- Bridges in 2 zones groups.
- TOTAL POWER 7400 W

Technical design

780 - Outlet 220 x 90 mm. (External dimensions)
 Cut-out 750 x 504 mm. Flushed dimensions: See pg. 48
 Ideal dimensions for installation in wall-mounted kitchens
 Requires 2 plugs (Hob & Hob). It's recommended to place a differential separately for the hob.

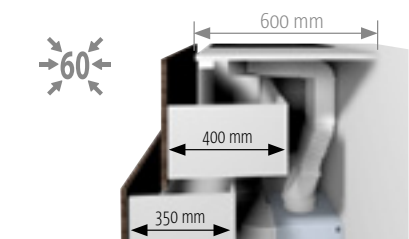


Leave a fix space of 40 mm from the wall to the edge of the hood and 50 mm to the cut out
 More information about the installation on page 48.

Removable tray collector for liquids



The small dimension of the hood body allow its installation in min. 60 cm. cabinets and also the installation of max. 40 cm. and 35 cm. depth drawers.

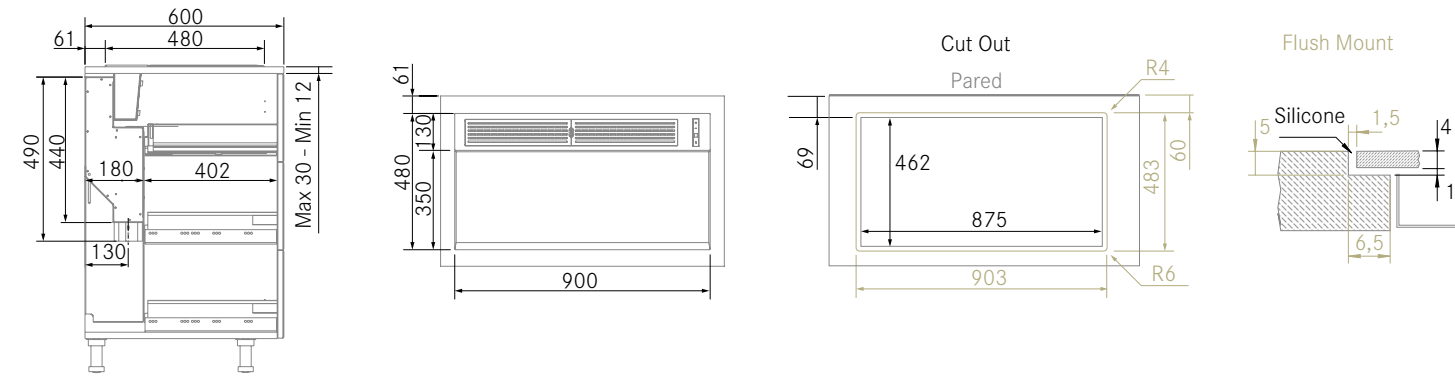


Its installation in Wall hoods does not require a furniture back panel.

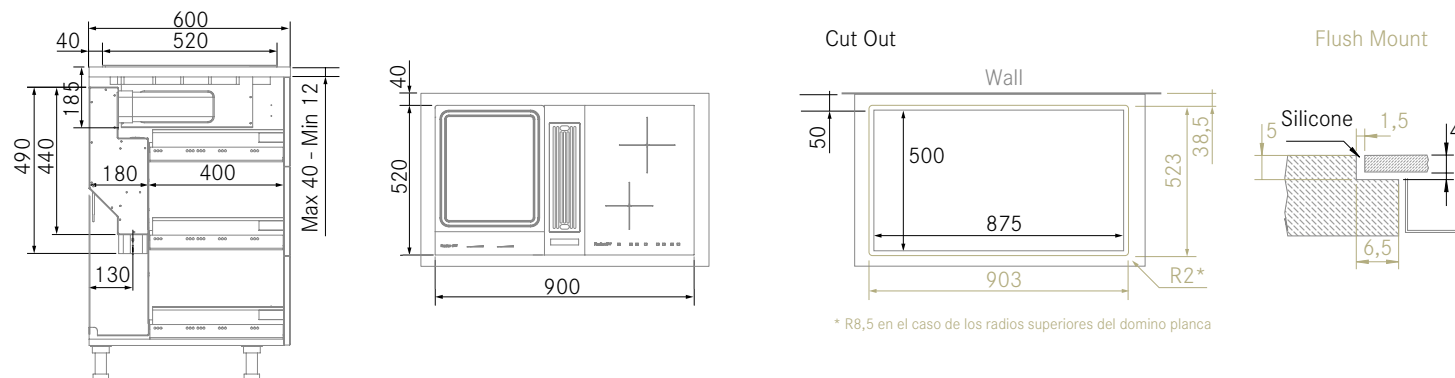
Flow hoods installation



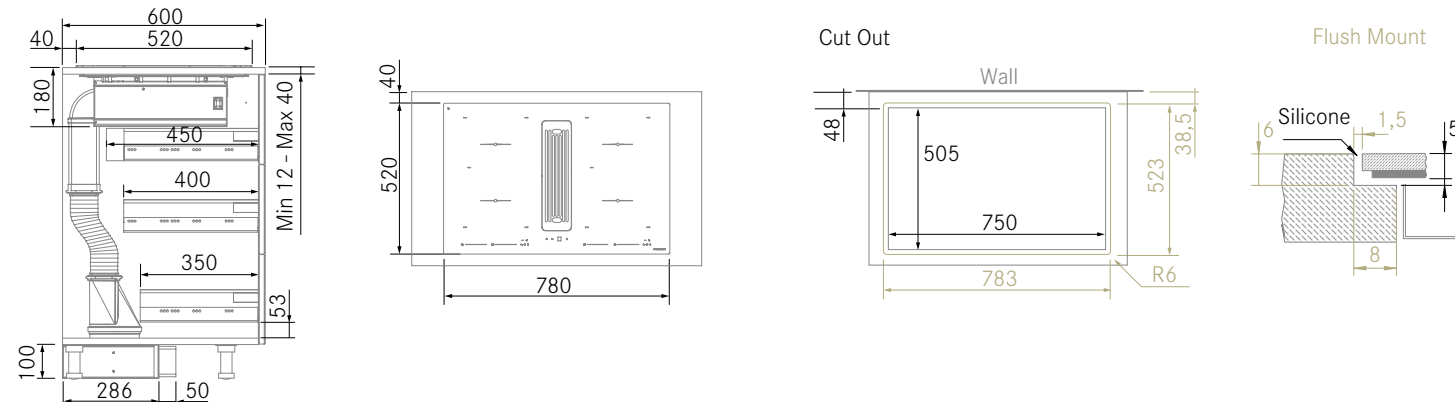
Flow 1



Flow 2



Flow 4

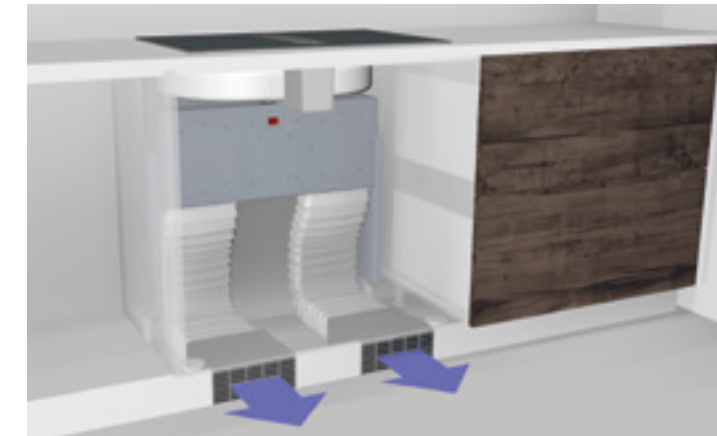


Flow hoods installation



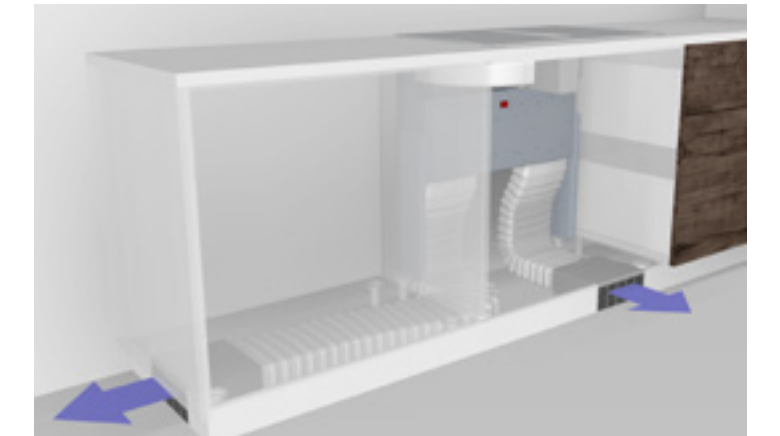
Installation examples of Flow 1 & Flow 2

Installation with double outlet and two drawers R 90267



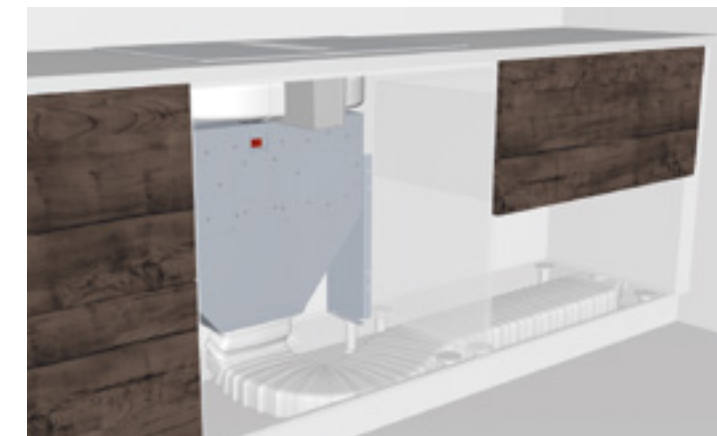
Example: Front exit with 2 drawers R Helsa (H3).

Installation with double outlet and two drawers R 90267



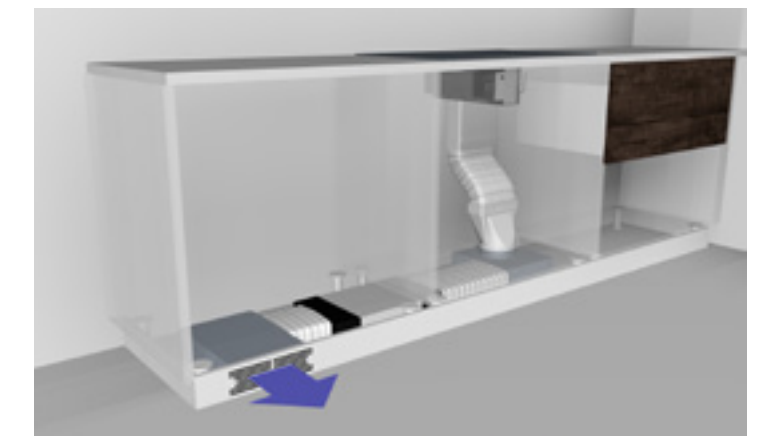
Example: A front and a side outlet with 2 R Helsa drawers (H3).

Installation with multi-mouth and external outlet



Example: Exterior exit.

Installation with FRECAN Plasma filter



Example: Recirculation with Plasma FRECAN F800

Installation examples of Flow 4

Installation with external outlet



Example: Exterior exit.

Helsa R-drawer installation (90267)



Example: Recirculation with Drawer R - Helsa

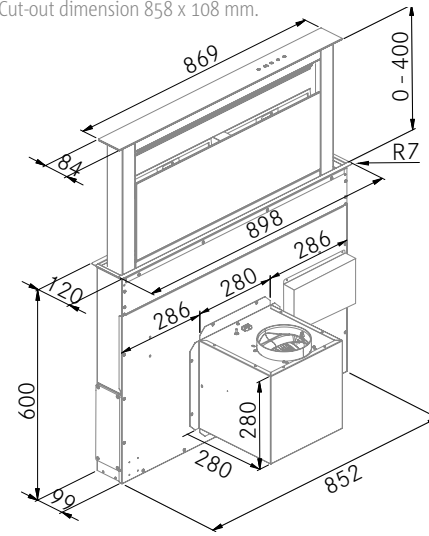
Lift Light - Surface Hoods

FRECAN



Technical design

Outlet 150 mm.
Cut-out dimension 858 x 108 mm.



Technical data

Dimensions (mm)	Finishing	Num. of filters	Motor
900	Black Glass	1	730 Ø150
			Ref. 26038



Technical information

- Stainless steel finish and cristal Black.
- Motor 730 m³/h (A).
- Touch Control.
- Aluminium filters.
- Deferred stop (Last time).
- Saturation filter alarm.
- Perimetral aspiration.
- LED lighting spotlights (6W - 4000K).
- Motor DISSOCIABLE 1 meter.
- 3 speeds + Booster.
- Optional recirculation through filter.

Optional Accesories

	Ref.
Recirculation kit	90285
<i>Ducting pipes see page 156</i>	

Double installation:
Allows installation with an internal or dissociated motor at a maximum of 1 meter.

Maximum distance between hob and hood 30 mm.
To be installed with panoramic cooking zone hobs.



Ceiling Hoods

Ceiling

Bright 360 - Ceiling Hoods

FRECAN



Bright 360 - Ceiling Hoods

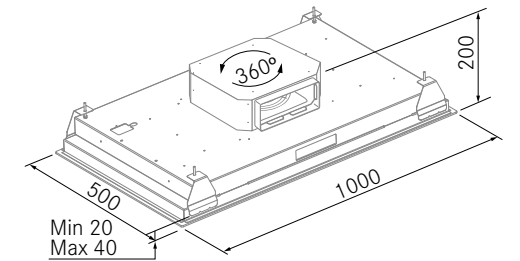
FRECAN



The Bright 360 hood can only be installed to suspended ceiling, The ceiling must be constructed to withstand a weight of 30kg.

Technical design

Outlet 220 x 90 mm. or $\varnothing 150$ mm. (External dimensions)
Cut-out dimension 970 x 475 mm.



Versions/Technical data

Dimensions (mm)	Finishing	Aluminium filters	Panel LED	Motor 360°
1000 x 500	White Lacquered + Panel Led	3	1 (3000K)	R1000GP 230 x 80
				Ref. 27050

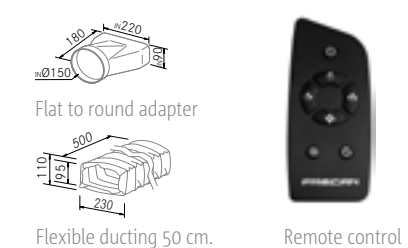
Possibility of other motors on request.



Technical information

- Finishing white lacquered (RAL 9003).
- Silent motor R1000GP-Silent PLUS (A+).
- Deferred stop (Last Time).
- Perimetral aspiration.
- Panel LED lighting spotlights (3000k).
- 3 speeds + Booster.
- Optional recirculation.

Included accessories



Ceiling light or hood?

The impressive 50W light panel eliminates the need to install extra lighting on the kitchen.

Note: The light panels should be operated connecting it to a standard light switch.

360° Rotary Motor

The 360° rotary motor allows the extraction ducts to be installed in any direction, permitting ease of installation even in wall kitchens, where the ceiling hood is installed closer to the wall.



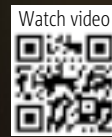
Optional Accessories

Optional Accessories	Ref.
Flat plasma filter F800	90373
Plasma filter C600 + R-Box	90374
Carbon filter FC Plus ceiling	90384
Recirculation Box-R round ducting H1	90268
Recirculation Box-R flat ducting H2	90269
Suspended ceiling grid	90375
AirSoft 2 silencer duct.	90310

Compatible ducting see page 156

Sense 360 - Ceiling Hoods

FRECAN



Sense 360 - Ceiling Hoods

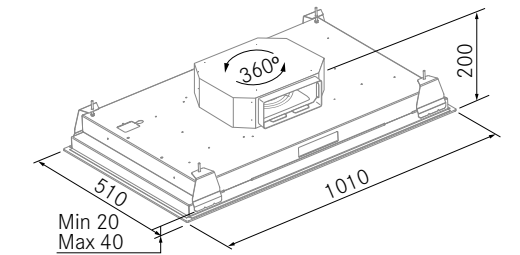
FRECAN



The Sense 360° hood can only be installed to suspended ceiling, The ceiling must be constructed to withstand a weight of 30kg.

Technical design

Outlet 220 x 90 mm. or Ø150 mm. (External dimensions)
Cut-out dimension 985 x 485 mm.



Versions/Technical data

Dimensions (mm)	Finishing	Aluminium filters	LED strips	Motor 360°	
				R1000GP 230 x 80	Ref.
1010 x 510	White Lacquered	3	(3000K)	Ref.	27057
1010 x 510	White Lacquered	3	(4000K)	Ref.	27058
1010 x 510	Black Lacquered	3	(3000K)	Ref.	27223
1010 x 510	Black Lacquered	3	(4000K)	Ref.	27224

Possibility of other motors consult.



Remote



Last-time



Easy-Fix



M. Rotative



R1000GP-Silent

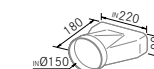


Susp. ceiling

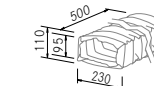
Technical information

- Finishing white lacquered/Black (RAL 9003/9005)
- Silent motor R1000GP-Silent PLUS (A+).
- Deferred stop (Last Time).
- Perimetral aspiration.
- LED lighting spotlights (3000k o 4000k)
- 3 speeds + Booster.
- Optional recirculation.

Included accessories



Flat to round adapter



Flexible ducting 50 cm.



Remote control

Ceiling light or hood?

40W perimeter led strip eliminates the need to install extra lighting on the kitchen. Available in 2 light colors (3000K or 4000K)

360° Rotary Motor

It allows the evacuation ducts to be placed in any direction, also allowing easy installation even in wall-mounted kitchens.



Optional Accessories

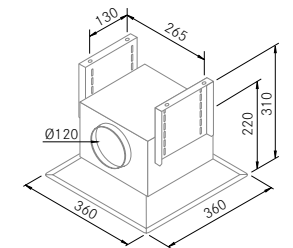
	Ref.
Flat plasma filter F800	90373
Plasma filter C600 + R-Box	90374
Carbon filter FC Plus ceiling	90384
Recirculation Box-R round ducting H1	90268
Recirculation Box-R flat ducting H2	90269
Suspended ceiling grid	90375
AirSoft 2 silencer duct.	90310

Compatible ducting see page 156

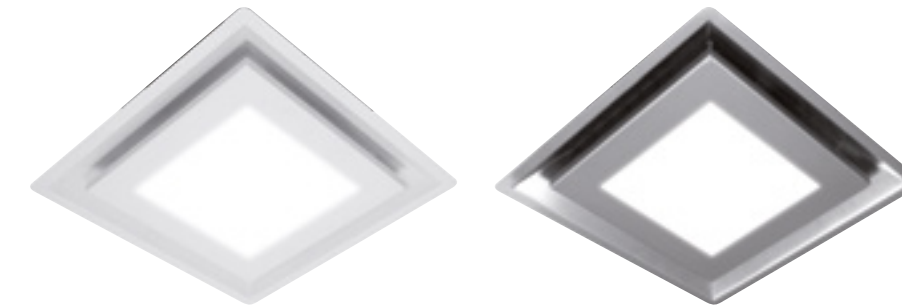
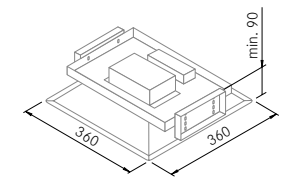


Technical designs

Control and Subordinate - Outlet Ø 120
Cut-out dimensions 340 x 340 mm.



Light Module - Anchoring system to suspended ceiling
Cut-out dimensions 340 x 340 mm.



2 in 1 light and ceiling hood

Paradigma is the first modular extraction system designed to go unnoticed in the kitchen ceiling with its aesthetic similar to a down-light.

Hood and light modules with the same design and appearance.

There are three types of Paradigma in two finishes (white and stainless steel):

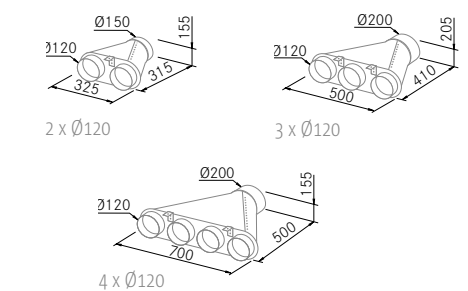
- Extraction control module.
- Subordinated extraction module.
- Lighting module.

The control module can handle up to 4 aspiration points (1 control + 3 subordinates).

The lighting modules function as standard down-lights that can be controlled by independent switches.

NOTE: Frecan recommends the use of washable paint for the kitchen ceiling.

Optional nozzle



See installation details on page 168.

Versions/Technical data

Dimensions (mm)	Finishing	Num. of filters	LED Panel	Internal Motors		LIGHT module
				S600n Ø120 Control	S600n Ø120 Subordinate	
360 x 360	White Lacquered	1	1	Ref. 26110	26111	26112
360 x 360	Stainless steel	1	1	Ref. 26113	26114	26115



Technical information

- Stainless steel finish or White Lacquered (Ral 9003).
- Aluminium filter.
- Deferred stop (Last Time). *
- Perimetral aspiration. *
- LED lighting spotlights (11W - 4000k).
- 3 speeds + Booster. *
- Optional recirculation.

* Only in control and subordinate modules. (The lighting module does not have a motor).

Included accessories



Remote control

Optional Accesories

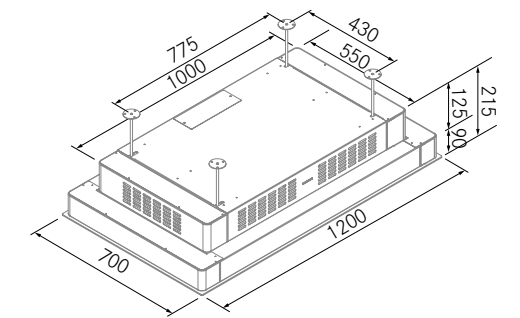
	Ref.
Plasma filter C600 + R-Box	90374
Recirculation Box-R round ducting H1	90268
Twin carbon kit 360 x 360	90366
Nozzle 2 x Ø120	90111
Nozzle 3 x Ø120	90109
Nozzle 4 x Ø120	90107

Ducting pipes see page 156



For installation with concrete ceiling, the use of rods is recommended.
For installation with a reinforced suspended ceiling it must be able to support a minimum weight of 50 kg.

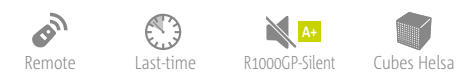
Technical design



Technical data

Dimensions (mm)	Finishing	Recirculation	Aluminium filters	LED strips	Motor
1200 x 700	White Glass	Cubes Helsa	3	2	R1000GP 230 x 80
					Ref. 26045

Recirculation with Helsa carbon cubes
Thanks to their 4000 parallel flow channels, the carbon ceramic cubes are characterized by filtering capacity, efficiency and low pressure drop.
The end result is a high performance filter with low power consumption, low noise, long service life and regeneration. More information on page 156.



Technical information

- Finishing white glass (RAL 9003).
- Silent motor R1000GP-Silent PLUS (A+).
- Deferred stop (Last Time).
- Perimetral aspiration.
- LED Light strips (4/7W).
- Manual color selector on hood 2700k/4000k/5500k.
- 3 speeds + Booster.
- Recirculation included by Helsa ceramic carbon cubes.
- 10 Helsa cubes, 4000 parallel flow channels.

Included accessories



Remote control

Cloud 360 - Ceiling Hoods

FRECAN



Cloud 360 - Ceiling Hoods

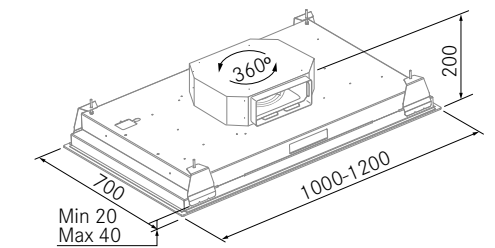
FRECAN



The Cloud 360 hood can only be installed to suspended ceiling, The ceiling must be constructed to withstand a weight of 35kg.

Technical design

Outlet 220 x 90 mm. or Ø150 mm. (External dimensions)
Cut-out dimensions 970 x 680 mm./1150 x 650 mm.



Versions/Technical data

Dimensions (mm)	Finishing	Aluminium filters	LED strips	Motor 360°	
				R1000GP 230 x 80	Ref.
1000 x 700	White Glass	3	2	Ref.	27059
1200 x 700	White Glass	3	2	Ref.	27060

Possibility of other motors consult.



Remote



Last-time



LED



Easy-Fix



M.Rotative



R1000GP-Silent



Susp. ceiling

360° Rotary Motor

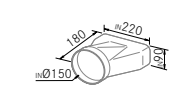
It allows the evacuation ducts to be placed in any direction, also allowing easy installation even in wall-mounted kitchens.



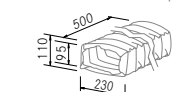
Technical information

- Finishing white glass RAL 9003.
- Silent motor R1000GP-Silent PLUS (A+).
- Deferred stop (Last Time).
- Perimetral aspiration.
- LED Light strips (4/7W).
- Manual color selector on hood 2700k/4000k/5500k.
- 3 speeds + Booster.
- Optional recirculation.

Included accessories



Flat to round adapter



Flexible ducting 50 cm.



Remote control

Optional Accessories

	Ref.
Flat plasma filter F800	90373
Plasma filter C600 + R-Box	90374
Carbon filter FC Plus ceiling	90384
Recirculation Box-R round ducting H1	90268
Recirculation Box-R flat ducting H2	90269
Suspended ceiling grid	90375
AirSoft 2 silencer duct.	90310

Compatible ducting see page 156

Moon 360 - Ceiling Hoods

FRECAN



Moon 360 - Ceiling Hoods

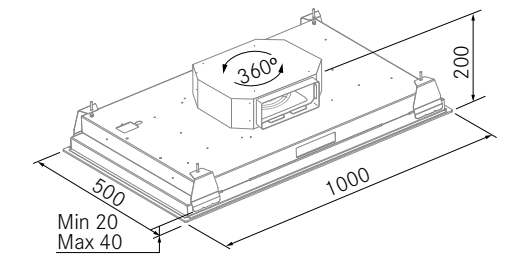
FRECAN



The Moon 360 hood can only be installed to suspended ceiling, The ceiling must be constructed to withstand a weight of 35 kg.

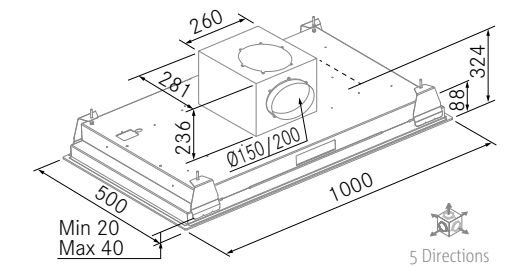
Technical design (Motor 360 or DIS1100GP)

Outlet 220 x 90 mm. or Ø150 mm. (External dimensions)
Cut-out dimension 970 x 475 mm.



Technical design (Motors 1100GP, PA1200 and TJ1900)

Outlet Ø150 mm Ø200. (External dimensions)
Cut-out dimension 970 x 475 mm or 1270 x 680 mm.



Versions/Technical data

Dimensions (mm)	Finishing	Aluminium filters	LED strips	Ref.	Motor 360°	Internal Motors	Dissociable Engine	Wall motors	Roof motors
					R1000GP Internal 220 x 90	1100GP Ø150	DIS1100GP Ø150	PA1200 Ø200	TJ1900 Ø200
1000 x 500	White Glass	3	2	Ref.	27081	27082	27083	27084	27085
1000 x 500	Black Glass	3	2	Ref.	27086	27087	27088	27089	27090
Minimum delivery time 2 weeks									



Remote



Last-time



LED



Easy-Fix



M.Rotative



R1000GP-Silent



1100GP-Silence



200mm
Susp. ceiling

360° Rotary Motor

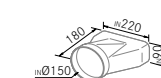
It allows the evacuation ducts to be placed in any direction, also allowing easy installation even in wall-mounted kitchens.



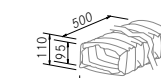
Technical information

- Finishing white/black lacquered & glass (RAL 9003 and 9005).
- Motors Silent PLUS R1000GP (A+) and 1100GP (A+++).
- Deferred stop (Last Time).
- Perimetral aspiration.
- LED Light strips (5W/m).
- Manual color selector on hood 2700k/4000k/5500k.
- 3 speeds + Booster.
- Optional recirculation.

Included accessories



Flat to round adapter



Flexible ducting 50 cm.



Remote control

Optional Accessories

	Ref.
Flat plasma filter F800	90373
Plasma filter C600 + R-Box	90374
Carbon filter FC Plus ceiling	90384
Recirculation Box-R round ducting H1	90268
Recirculation Box-R flat ducting H2	90269
Suspended ceiling grid	90375
AirSoft 2 silencer duct.	90310

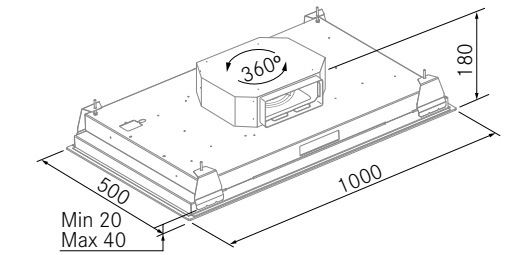
Compatible ducting see page 156



The Ultralight 360 hood can only be installed to suspended ceiling, The ceiling must be constructed to withstand a weight of 11 kg.

Technical design

Outlet 220 x 90 mm. or Ø150 mm. (External dimensions)
Cut-out dimension 980 x 470 mm.



Versions/Technical data

Dimensions (mm)	Finishing	Aluminium filters	Motor 360°	
			Ref.	R800GP 230 x 80
1000 x 500	Stainless steel	3	Ref.	27052
1000 x 500	White lacquered	3	Ref.	27053

Possibility of other motors consult.

Lightness

The Ultralight model is characterized by its Aluminium body that reduces the weight of the hood to just 11 Kg, allowing for easy and ultra-light installation.



360° Rotary Motor

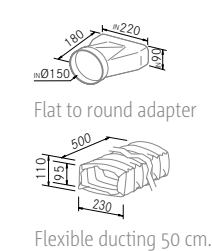
It allows the evacuation ducts to be placed in any direction, also allowing easy installation even in wall-mounted kitchens.



Technical information

- Finishing white lacquered & glass (RAL 9003).
- Silent motor R800GP-Silent PLUS (A++).
- Deferred stop (Last Time).
- Perimetral aspiration.
- 3 speeds + Booster.
- Optional recirculation.

Included accessories



Flexible ducting 50 cm.



Remote control

Optional Accessories

	Ref.
Flat plasma filter F800	90373
Plasma filter C600 + R-Box	90374
Carbon filter FC Plus ceiling	90384
Recirculation Box-R round ducting H1	90268
Recirculation Box-R flat ducting H2	90269
Suspended ceiling grid	90375
AirSoft 2 silencer duct.	90310

Compatible ducting see page 156

SCL 360 - Ceiling Hoods

FRECAN



SCL 360 - Ceiling Hoods

FRECAN

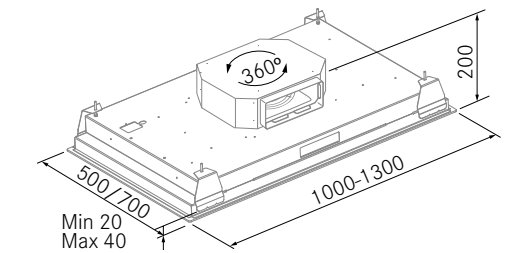


The SCL 360 hood is only installed on a suspended ceiling, for this the suspended ceiling must be able to support a weight of 30 kg, for the 1000 mm and 35 Kg model for the 1300 mm model.



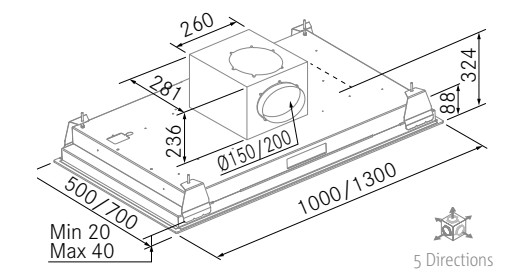
Technical design (Motor 360 or DIS1100GP)

Outlet 220 x 90 mm, or Ø150 mm. (External dimensions)
Cut-out dimensions 970 x 475 mm or 1270 x 680 mm.



Technical design (Motors 1100GP, PA1200 & TJ1900)

Outlet Ø150 mm Ø200. (External dimensions)
Cut-out dimension 970 x 475 mm or 1270 x 680 mm.



Versions/Technical data

Dimensions (mm)	Finishing	Aluminium filters	Ref.	Motor 360°	Internal Motors	Dissociable Engine	Wall motors	Roof motors
				R1000GP Internal 220 x 90	1100GP Ø150	DIS1100GP Ø150	PA1200 Ø200	TJ1900 Ø200
1000 x 500	Stainless steel	3	Ref.	27061	27062	27063	27064	27065
1000 x 500	White Lacquered	3	Ref.	27066	27067	27068	27069	27070
1000 x 500	Black Lacquered	3	Ref.	27225	27226	27227	27228	27229
1300 x 700	Stainless steel	5	Ref.	27071	27072	27073	27074	27075
1300 x 700	White Lacquered	5	Ref.	27076	27077	27078	27079	27080

Minimum delivery time 2 weeks



360° Rotary Motor

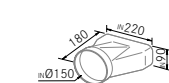
It allows the evacuation ducts to be placed in any direction, also allowing easy installation even in wall-mounted kitchens.



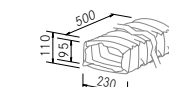
Technical information

- Finishing white/black lacquered & glass (RAL 9003/ 9005).
- Motors Silent PLUS R1000GP (A+) and 1100GP (A+++).
- Deferred stop (Last Time).
- Perimetral aspiration.
- 3 speeds + Booster.
- Optional recirculation.

Included accessories



Flat to round adapter



Flexible ducting 50 cm.



Remote control

Optional Accessories

	Ref.
Flat plasma filter F800	90373
Plasma filter C600 + R-Box	90374
Carbon filter FC Plus ceiling	90384
Recirculation Box-R round ducting H1	90268
Recirculation Box-R flat ducting H2	90269
Suspended ceiling grid	90375
AirSoft 2 silencer duct.	90310

Compatible ducting see page 156

Nitro 360 - Ceiling Hoods

FRECAN



Nitro 360 - Ceiling Hoods

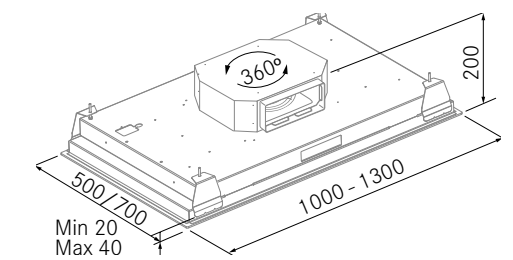
FRECAN



The Nitro 360 hood can only be installed to suspended ceiling, The ceiling must be constructed to withstand a weight of 30/ 35 kg.

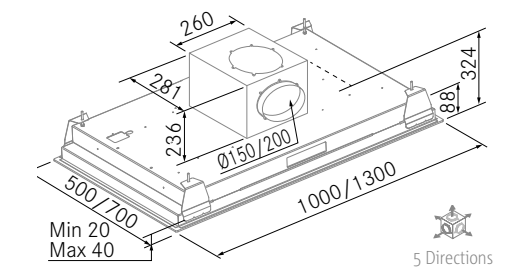
Technical design (Motor 360 or DIS1100GP)

Outlet 220x90 mm. or Ø150 mm. (External dimensions)
Cut-out dimension 970 x 470 mm. or 1270 x 670 mm.



Technical design (Motor 1100GP, PA1200 & TJ1900)

Outlet Ø150 mm Ø200. (External dimensions)
Cut-out dimension 970 x 470 mm. or 1270 x 670 mm.



Versions/Technical data

Dimensions (mm)	Finishing	Aluminium filters	LED strips	Ref.	Motor 360°	Internal Motors	Dissociable Engine	Wall motors	Roof motors
					R1000GP Internal 220 x 90	1100GP Ø150	DIS1100GP Ø150	PA1200 Ø200	TJ1900 Ø200
1000 x 500	Stainless steel	3	2	Ref.	27091	27092	27093	27094	27095
1000 x 500	White Lacquered	3	2	Ref.	27096	27097	27098	27099	27100
1300 x 700	Stainless steel	5	2	Ref.	27101	27102	27103	27104	27105
1300 x 700	White Lacquered	5	2	Ref.	27106	27107	27108	27109	27110

Minimum delivery time 2 weeks



Remote



Last-time



LED



Easy-Fix



M. Rotative



R1000GP-Silent



1100GP-Silence



Susp. ceiling

360° Rotary Motor

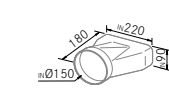
It allows the evacuation ducts to be placed in any direction, also allowing easy installation even in wall-mounted kitchens.



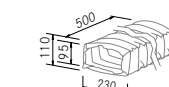
Technical information

- Stainless steel finish or White Lacquered (RAL 9003).
- Motors Silent PLUS R1000GP (A+) and 1100GP (A+++).
- Deferred stop (Last Time).
- Perimetral aspiration.
- LED Light strips (4/7W).
- Manual color selector on hood 2700k/4000k/5500k.
- 3 speeds + Booster.
- Optional recirculation.

Included accessories



Flat to round adapter



Flexible ducting 50 cm.



Remote control

Optional Accessories

Optional Accessories	Ref.
Flat plasma filter F800	90373
Plasma filter C600 + R-Box	90374
Carbon filter FC Plus ceiling	90384
Recirculation Box-R round ducting H1	90268
Recirculation Box-R flat ducting H2	90269
Suspended ceiling grid	90375
AirSoft 2 silencer duct.	90310

Compatible ducting see page 156



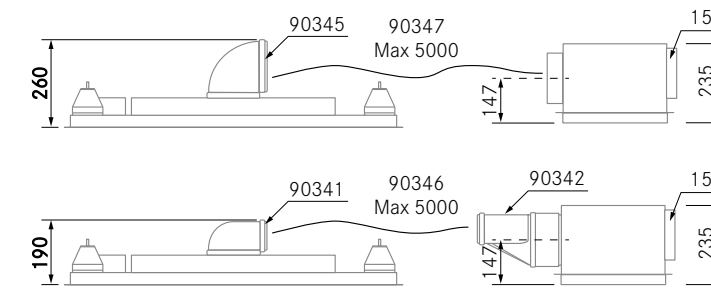
The Meet hood can only be installed to suspended ceiling, The ceiling must be constructed to withstand a weight of 30 kg.

Versions/Technical data

Dimensions (mm)	Finishing	Aluminium filters	LED lighting	Internal/Dissociable Motor Dissociator kit	
				ST8 Ø150	Ref.
1000 x 500	Stainless steel	3	4	Ref.	27055
1000 x 500	White Lacquered	3	4	Ref.	27056

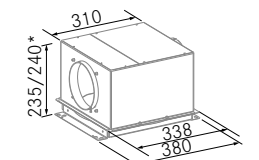
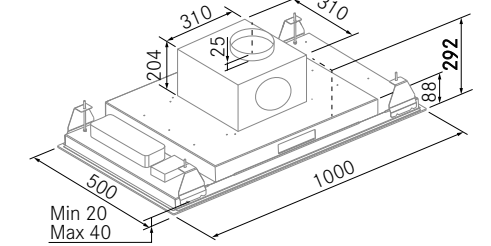


Dissociable Engine

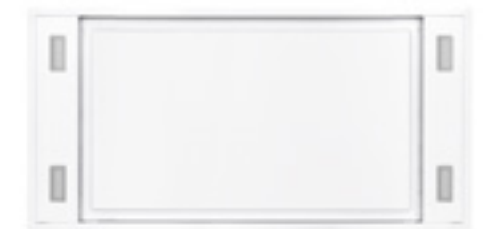


Technical design

Outlet Ø150 mm. (External dimensions)
Cut-out dimension 975 x 475 mm.



* Measure using the wall mounting feet



ST8 Engine - Dissociable

The Meet Model S8 Motor allows its installation to be dissociated from the hood up to a recommended maximum of 5 meters. For dissociation of the engine, depending on the type of installation, it is necessary to use some optional accessories.



Motor 5 Directions

The rotary motor makes it possible to fit the extraction ducts in 5 directions, allowing easy installation even in wall-mounted kitchens.



Technical information

- Stainless steel or white Ral 9003 finish.
- Silent motor ST8 Dissociable. (A++).
- Deferred stop (Last Time).
- Perimetral aspiration.
- LED lighting spotlights (1,2W - 3000K).
- 3 speeds + Booster.
- Optional recirculation.

Included accessories



Optional Accesories

	Ref.
Plasma filter C600 + R-Box	90374
Recirculation Box-R round ducting H1	90268
Carbon filter FC Plus ceiling	90384
Recirculation kit	90134
Vertical bend ducting Ø150	90345
Angle adapter (Round-flat) Ø150	90341
Adapter (Round-flat) Ø150	90342
Flexible flat ducting 3 m.	90346
Flexible ducting 1 m. Ø150	90347

Compatible ducting see page 156

Aero - Ceiling Hoods

FRECAN



Aero - Ceiling Hoods

FRECAN



The Aero hood can only be installed to suspended ceiling, The ceiling must be constructed to withstand a weight of 20 kg.

Versions/Technical data

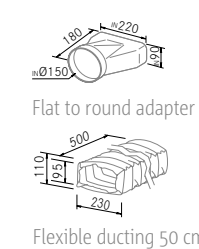
Dimensions (mm)	Finishing	S/S filters	Motor	Ref.
900 x 350	A.inox	3	R800GP 230 x 80	27134



Technical information

- Stainless steel finish.
- Motors Silent R800GP (A++).
- Deferred stop (Last Time).
- Perimetral aspiration.
- LED lighting spotlights (1,2W - 3000K).
- 3 speeds + Booster.
- Optional recirculation.

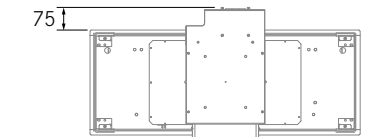
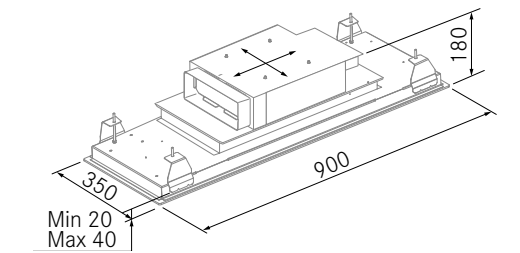
Included accessories



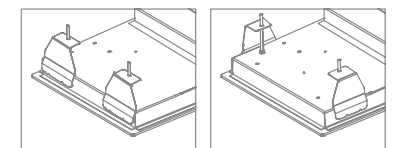
Remote control

Technical design

Outlet 220 x 90 mm. ϕ 150 mm. (External dimensions)
Cut-out dimension 870 x 325 mm.



In case of placing the motor with front outlet take into account a rear distance of 75 mm.



It allows to rotate the fixings and avoid obstacles in the installation

Motor 4 Directions

The rotary motor makes it possible to fit the extraction ducts in 4 directions, allowing easy installation even in wall-mounted kitchens.



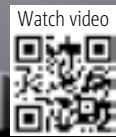
Optional Accessories

	Ref.
Flat plasma filter F800	90373
Plasma filter C600 + R-Box	90374
Carbon filter FC Plus ceiling	90384
Recirculation Box-R round ducting H1	90268
Recirculation Box-R flat ducting H2	90269
Suspended ceiling grid	90375
AirSoft 2 silencer duct.	90310

Compatible ducting see page 156

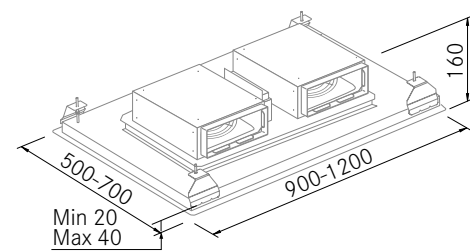
Nitro 2xR700 - Ceiling Hoods

FRECAN



Technical design

Outlet 220 x 90 mm. or Ø150 mm. (External dimensions)
Cut-out dimension 870 x 470 mm. / 1170 x 670 mm.



The Nitro hood can only be installed to suspended ceiling, The ceiling must be constructed to withstand a weight of 30/ 35 kg.

Versions/Technical data

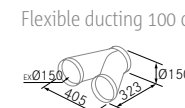
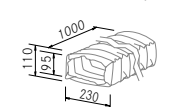
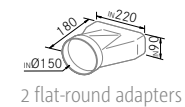
Dimensions (mm)	Finishing	Aluminium filters	LED strips	Ref.	Motor
900 x 500	Stainless steel	3	2	Ref.	2 x R700 220 x 90
900 x 500	White Lacquered	3	2	Ref.	27112
1200 x 700	Stainless steel	5	2	Ref.	27113
1200 x 700	White Lacquered	5	2	Ref.	27114



Technical information

- Stainless steel finish or White Lacquered RAL 9003.
- 2 Silence Motors R700 (A)
- Deferred stop (Last Time).
- Perimetral aspiration.
- LED Light strips (4/7W).
- Manual color selector on hood 2700k/4000k/5500k.
- 3 speeds + Booster.
- Optional recirculation.

Included accessories



Round Nozzle



Remote control

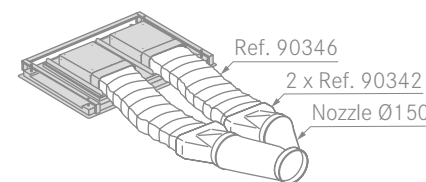
Optional Accesories

	Ref.
Flat plasma filter F800	90373
C600 Plasma Filter Drawer (White Grid)	90374
Recirculation Box-R round ducting H1	90268
Recirculation Box-R flat ducting H2	90269
Suspended ceiling grid	90375

Compatible ducting see page 156

INSTALLATION KIT INCLUDED

The Nitro model is delivered with the basic installation kit included, it consists of the round Nozzle, a 1 m flexible tube (90346). And two flat to round adapters Ø150. (90342) See installation example.



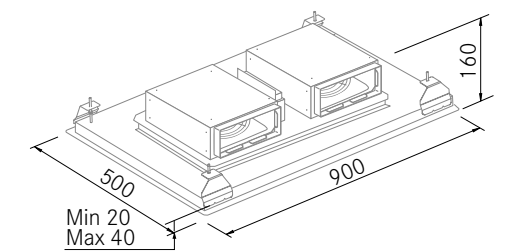
SCL 2xR700 - Ceiling Hoods

FRECAN



Technical design

Outlet 220 x 90mm. or Ø150mm. (External dimensions)
Cut-out dimension 870 x 470 mm.



The SCL hood can only be installed to suspended ceiling, The ceiling must be constructed to withstand a weight of 30 kg.

Versions/Technical data

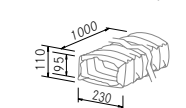
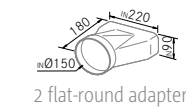
Dimensions (mm)	Finishing	Aluminium filters	Ref.	Motor
900 x 500	White Lacquered	3	Ref.	2 x R700 220 x 90
				27116



Technical information

- Finishing white lacquered RAL 9003.
- 2 Silence Motors R700 (A).
- Multiboca plano incluido.
- Deferred stop (Last Time).
- Perimetral aspiration.
- 3 speeds + Booster.
- Optional recirculation.

Included accessories



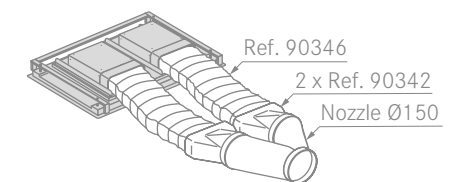
Round Nozzle



Remote control

INSTALLATION KIT INCLUDED

The SCL model is delivered with the basic installation kit included, it consists of the round Nozzle, a 1 m flexible tube (90346). And two flat to round adapters Ø150. (90342) See installation example.



Built-in hoods

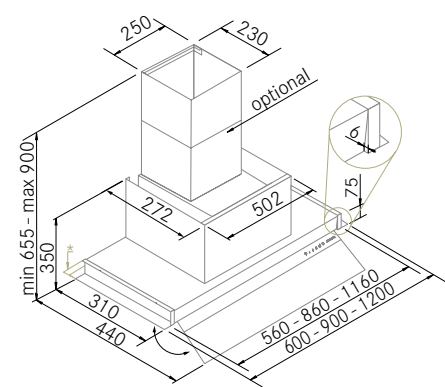
Hit - Built-in hoods (Interfurniture)

FRECAN



Technical design

Outlet 150 mm.



* Depth adapter spacer included. From 330 to 350 mm
Optional top tube not suitable for cylindrical plasma and FC-Plus.



Interior finish in 100% Stainless steel or matt black furniture.
Optional extensible top chimney.



Versions/Technical data

Dimensions (mm)	Finishing	S/S filters	LED strips	Ref.	Internal Motors			Dissociable Engine DIS1100GP Ø150	Wall motors PA1200 Ø200	Roof motors TJ1900 Ø200
					VF600 Ø150	VF700 Ø150	1100GP Ø150			
600 x 310	Stainless steel	1	1	Ref.	27120					
900 x 310	Stainless steel	3	1	Ref.		27121	27122	27123	27124	27125
900 x 310	Matt Black	3	1	Ref.	27220					
1200 x 310	Stainless steel	4	2	Ref.		27126	27127	27128	27129	27130

Minimum delivery time 2 weeks



Technical information

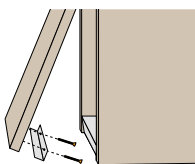
- Stainless steel finish with transparent glass visor.
- Matt black finish with dark smoked glass visor.
- Silence Motors VF600 (A), VF700 (A+) and 1100GP (A+++).
- Touch Control.
- Deferred stop (Last time).
- Saturation filter alarm.
- Perimetral & traditional aspiration.
- LED light stripe (5W/meter - 2700K).
- 3 speeds + Booster.
- Optional recirculation.

Optional Accessories

	Ref.
Cylindric Plasma filter C1000	90371
Cylindric Plasma filter C600	90372
Carbon Filter FC-Plus	90381
Recirculation kit (with VF600/700)	90134
"L" DOUBLE door protector 60	90297
"L" DOUBLE door protector 90	90298
"L" DOUBLE door protector 120	90299
Decorative S/S tube with adjustable height	90221
Decorative black tube with adjustable height	90401
AirSoft 1 silencer ducting Ø150	90182

Ducting pipes see page 156

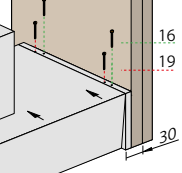
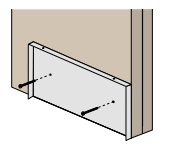
"L" door protection



Includes reversible profile 19 x 16 mm.

*Furniture 2 doors optional accessory

Easy installation



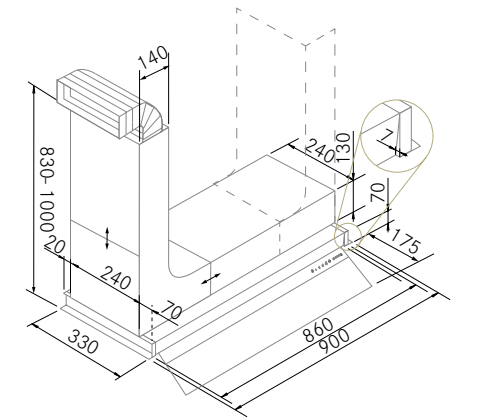
Side - Built-in hoods (Interfurniture)

FRECAN



Technical design

Outlet 220 x 90 mm. (External dimensions)
Reversible exit to the right or left.

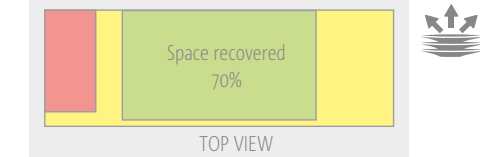


Versions/Technical data

Dimensions (mm)	Finishing	S/S filters	LED strips	Ref.	Motor
					R700 220 x 90
900 x 330	Stainless steel	3	1	Ref.	26153



Thanks to its flat motor, the Side model completely recovers the central part of the cabinet, occupying only a small space on the side of one of the two sides.



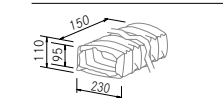
Technical information

- Finishing stainless steel.
- Transparent glass visor.
- Silent motor R700 (A).
- Touch Control.
- Deferred stop (Last time).
- Saturation filter alarm.
- Perimetral & traditional aspiration.
- LED light stripe (5W/meter - 2700K).
- 3 speeds + Booster.
- Included 1,5m. of flexible tube.
- Optional recirculation.

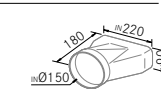
Included accessories

1,5m. flat flexible tube.

Adapter (Round-flat) Ref. 90342



Flexible ducting 50 cm.



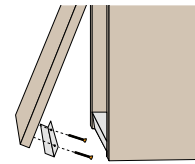
Flat to round adapter

Optional Accessories

	Ref.
Twin carbon kit 900	90359
"L" DOUBLE door protector 90	90298

Compatible ducting see page 156

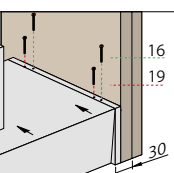
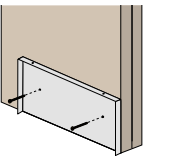
"L" door protection



Includes reversible profile 19 x 16 mm.

*Furniture 2 doors optional accessory

Easy installation



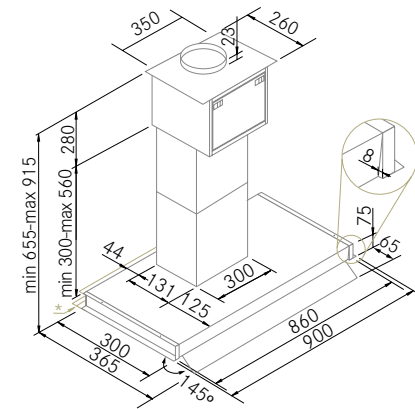
InUp - Built-in hoods (Interfurniture)

FRECAN



Technical design

Outlet 150 mm.



* Depth adapter spacer included. From 325 to 350 mm



Versions/Technical data

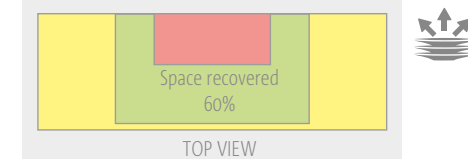
Dimensions (mm)	Finishing	Aluminium filters	LED lighting	Motor
900 x 300	Stainless steel	2	2	VF700 Ø150

Ref.

27131



The Inup FRECAN model with its engine disassociated recovers 60% of space in the lower and middle part of the cabinet relative to a traditional built in hood.



Technical information

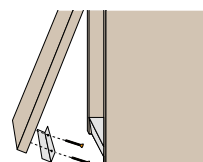
- Finishing stainless steel.
- Gray glass visor.
- Silent motor VF700 (A+).
- Touch control.
- Deferred stop (Last time).
- Saturation filter alarm.
- Perimetral & traditional aspiration.
- LED lighting spotlights (2,1W - 3000K).
- 3 speeds + Booster.
- Remote control included.
- Optional recirculation.

Optional Accesories

	Ref.
Recirculation kit	90134
"L" DOUBLE door protector 90	90298

Ducting pipes see page 156

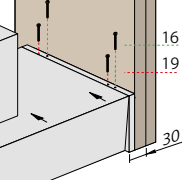
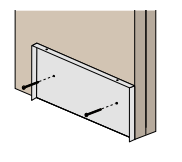
"L" door protection



Includes reversible profile 19 x 16 mm.

*Furniture 2 doors optional accessory

Easy installation



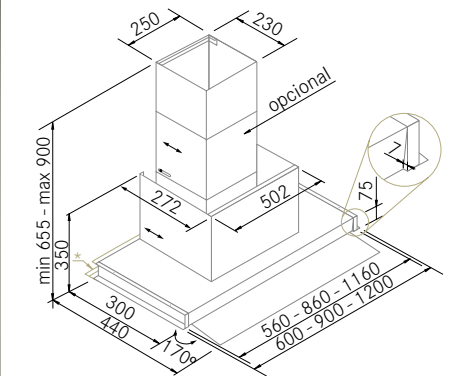
Vetro Klin - Built-in hoods (Interfurniture)

FRECAN



Technical design

Outlet 150 mm.



* Depth adapter spacer included. From 325 to 350 mm
Optional top tube not suitable for cylindrical plasma and FC-Plus.

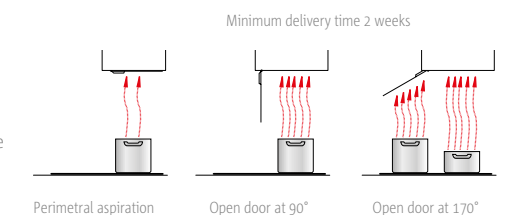


Interior finish in 100% stainless steel.
Optional extensible top chimney.

Versions/Technical data

Dimensions (mm)	Finishing	S/S filters	LED lighting	Ref.	Internal Motors	
					VF600 Ø150	VF700 Ø150
600 x 300	Stainless steel	1	2	Ref.	26362	
900 x 300	Stainless steel	1	2	Ref.		26363
1200 x 300	Stainless steel	4	2	Ref.		26364

Possibility of other motors consult.



Minimum delivery time 2 weeks

Technical information

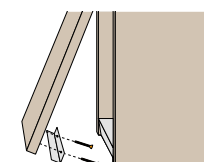
- Finishing stainless steel.
- Visera en cristal gris.
- Silence Motors VF600 (A) and VF700 (A+).
- Touch control.
- Deferred stop (Last time).
- Saturation filter alarm.
- Perimetral & traditional aspiration.
- LED lighting spotlights (2,1W - 3000K).
- 3 speeds + Booster.
- Remote control included.
- Optional recirculation.

Optional Accesories

	Ref.
Cylindric Plasma filter C1000	90371
Cylindric Plasma filter C600	90372
Carbon Filter FC-Plus	90381
Recirculation kit	90134
"L" DOUBLE door protector 60	90297
"L" DOUBLE door protector 90	90298
"L" DOUBLE door protector 120	90299
Height adjust. decorative stainless steel tube	90221
AirSoft 1 silencer ducting Ø150	90182

Ducting pipes see page 156

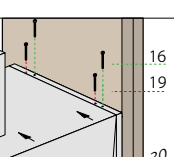
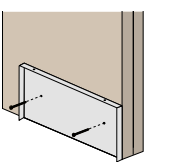
"L" door protection



Includes reversible profile 19 x 16 mm.

*Furniture 2 doors optional accessory

Easy installation



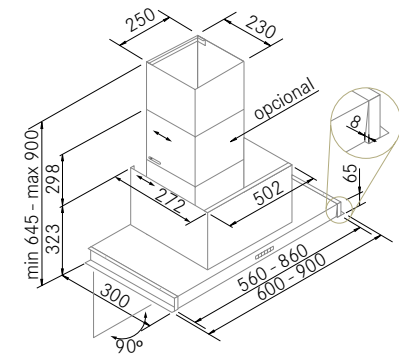
Inside - Built-in hoods (Interfurniture)

FRECAN



Technical design

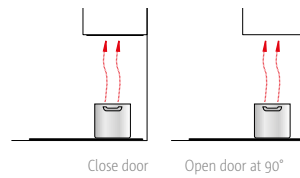
Outlet 150 mm.



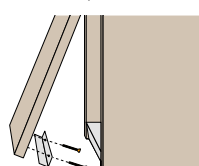
Optional top tube not suitable for cylindrical plasma and FC-Plus.



Interior finish in 100% stainless steel.
Optional extensible top chimney.



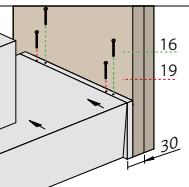
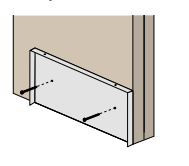
"L" door protection



Includes reversible profile 19 x 16 mm.

*Furniture 2 doors optional accessory

Easy installation



Versions/Technical data

Dimensions (mm)	Finishing	Aluminium filters	LED lighting	Internal Motors	
				VF600 Ø150	VF700 Ø150
600 x 300	Stainless steel	1	2	Ref.	26169
900 x 300	Stainless steel	1	2	Ref.	26170

Possibility of other motors consult.



Technical information

- Finishing stainless steel and white glass.
- Silence Motors VF600 (A) and VF700 (A+).
- Touch control.
- Deferred stop (Last time).
- Saturation filter alarm.
- Perimetral & traditional aspiration.
- LED lighting spotlights (2,1W - 3000K).
- 3 speeds + Booster.
- Remote control included.
- Optional recirculation.

Optional Accesories

	Ref.
Cylindric Plasma filter C1000	90371
Cylindric Plasma filter C600	90372
Carbon Filter FC-Plus	90381
Recirculation kit	90134
"L" DOUBLE door protector 60	90297
"L" DOUBLE door protector 90	90298
Height adjust. decorative stainless steel tube	90221
AirSoft 1 silencer ducting Ø150	90182

Ducting pipes see page 156

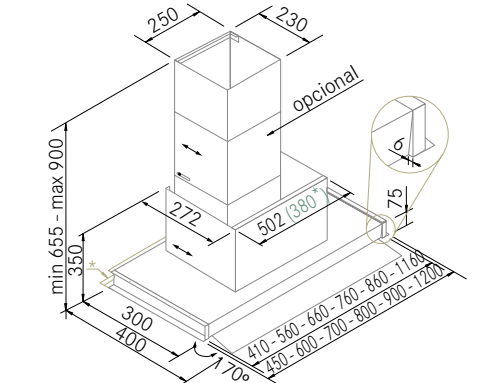
Note - Built-in hoods (Interfurniture)

FRECAN



Technical design

Outlet 150 mm.



* Depth adapter spacer included. From 325 to 350 mm
* Decorative drawer width 380 mm. for 450mm model.
Optional top tube not suitable for cylindrical plasma and FC-Plus.



Interior finish in 100% stainless steel.
Optional extensible top chimney.

Versions/Technical data

Dimensions (mm)	Finishing	S/S filters	LED lighting	Internal Motors	
				VF600 Ø150	VF700 Ø150
450 x 300	Stainless steel	1	2	Ref.	27238
600 x 300	Stainless steel	1	2	Ref.	27239
700 x 300	Stainless steel	2	2	Ref.	27240
800 x 300	Stainless steel	2	2	Ref.	27241
900 x 300	Stainless steel	2	2	Ref.	27242
1200 x 300	Stainless steel	3	2	Ref.	27243

Possibility of other motors consult.



Technical information

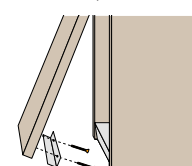
- Finishing stainless steel.
- Transparent glass visor.
- Silent motor VF600 (A).
- Touch control.
- Deferred stop (Last time).
- Saturation filter alarm.
- Perimetral & traditional aspiration.
- LED lighting spotlights (1,2W - 3000K).
- 3 speeds + Booster.
- Remote control included.
- Optional recirculation.

Optional Accesories

	Ref.
Cylindric Plasma filter C1000	90371
Cylindric Plasma filter C600	90372
Carbon Filter FC-Plus	90381
Recirculation kit (except size 450)	90134
"L" DOUBLE door protector 45	90389
"L" DOUBLE door protector 60	90297
"L" DOUBLE door protector 70	90390
"L" DOUBLE door protector 80	90391
"L" DOUBLE door protector 90	90298
"L" DOUBLE door protector 120	90299
Decorative tube (not suitable in size 450)	90221
AirSoft 1 silencer ducting Ø150	90182

Ducting pipes see page 156

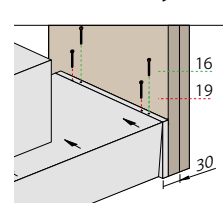
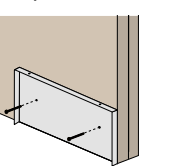
"L" door protection



Includes reversible profile 19 x 16 mm.

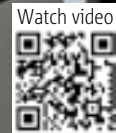
*Furniture 2 doors optional accessory

Easy installation



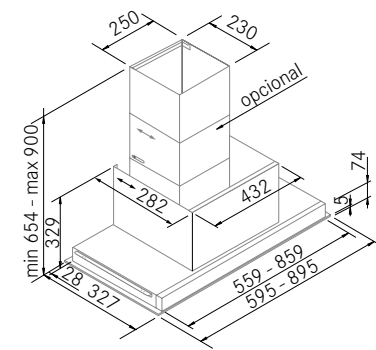
GA Glass II - Built-in hoods (Interfurniture)

FRECAN



Technical designs

Outlet 150 mm.



Optional top tube not suitable for cylindrical plasma and FC-Plus.



Versions/Technical data

Dimensions (mm)	Finishing	Aluminium filters	LED strips	Ref.	Internal Motors	
					VF600 Ø150	VF700 Ø150
600 x 327	White Glass	1	1	Ref.	26140	
900 x 327	White Glass	2	1	Ref.		26141

Possibility of other motors consult.



Technical information

- Finishing White Glass.
- Silence Motors VF600 (A) and VF700 (A+).
- Touch Control.
- Stainless steel interior finish.
- Body and motor drawer cover finished in stainless steel.
- Deferred stop (Last time).
- Saturation filter alarm.
- Perimetral & traditional aspiration.
- LED light stripe (5W/meter - 2700K).
- 3 speeds + Booster.
- Optional recirculation.

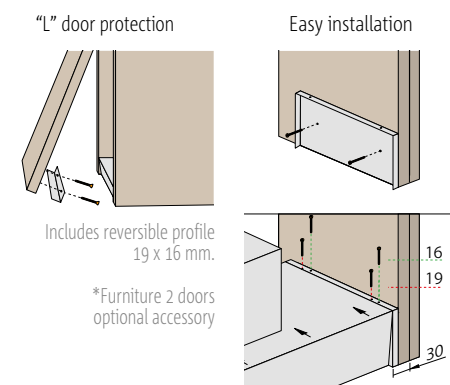
Optional Accessories

	Ref.
Cylindric Plasma filter C1000	90371
Cylindric Plasma filter C600	90372
Carbon Filter FC-Plus	90381
Recirculation kit	90258
"L" DOUBLE door protector 60	90297
"L" DOUBLE door protector 90	90298
"L" DOUBLE door protector 120	90299
Height adjust. decorative stainless steel tube	90221
AirSoft 1 silencer ducting Ø150	90182

Ducting pipes see page 156

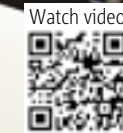


Interior finish in 100% stainless steel.
Optional extensible top chimney.



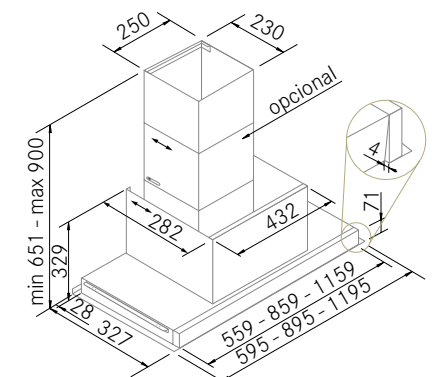
GA Perimetral - Built-in hoods (Interfurniture)

FRECAN



Technical design

Outlet 150 mm.



Optional top tube not suitable for cylindrical plasma and FC-Plus.



Versions/Technical data

Dimensions (mm)	Finishing	Aluminium filters	LED strips	Ref.	Internal Motors		
					VF600 Ø150	VF700 Ø150	1100GP Ø150
600 x 327	Stainless steel	1	1	Ref.	27117		
900 x 327	Stainless steel	2	1	Ref.		27118	
1200 x 327	Stainless steel	4	2	Ref.			27119

Possibility of other motors consult.



Interior finish in 100% stainless steel.
Optional extensible top chimney.

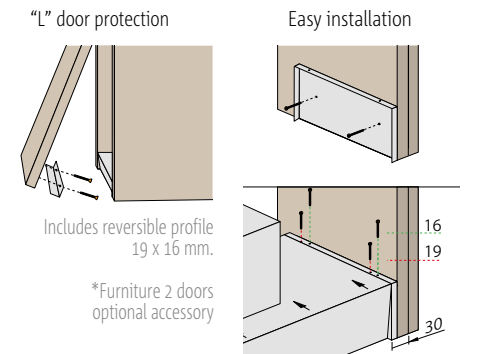
Technical information

- Finishing stainless steel.
- Silence Motors VF600 (A), VF700 (A+) and 1100GP (A+++).
- Touch control.
- Deferred stop (Last time).
- Saturation filter alarm.
- Perimetral & traditional aspiration.
- LED light stripe (5W/meter - 2700K).
- 3 speeds + Booster.
- Remote control included.
- Optional recirculation.

Optional Accessories

	Ref.
Cylindric Plasma filter C1000	90371
Cylindric Plasma filter C600	90372
Carbon Filter FC-Plus	90381
Recirculation kit	90258
327 to 350 adjustable depth accessory 60	90255
327 to 350 adjustable depth accessory 90	90256
327 to 350 adjustable depth accessory 120	90257
Height adjust. decorative stainless steel tube	90221
AirSoft 1 silencer ducting Ø150	90182

Ducting pipes see page 156



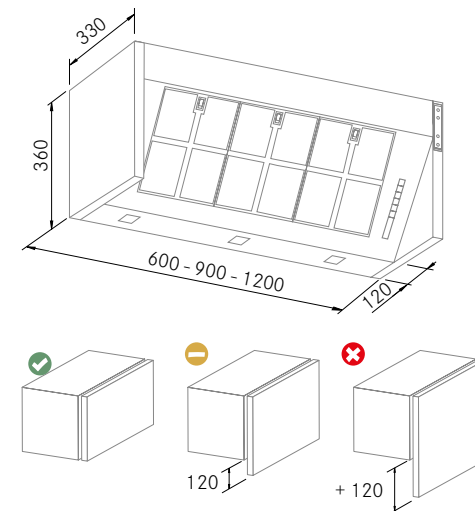
Integratta - Built-in hoods (Interfurniture)

FRECAN



Technical design

Outlet 150 mm.



The door hinges are defined for the weight of a standard door, not to exceed its height by more than 12 cm. High. Inox panel for 350 bottom consult.

Versions/Technical data

Dimensions (mm)	Finishing	S/S filters	LED lighting	Internal Motors				
				VF700 Ø150	1100GP Ø150	DIS1100GP Ø150	PA1200 Ø200	TJ1900 Ø200
900 x 330	Stainless steel	3	3	Ref. 26130	26131	26132	26133	26134

Minimum delivery time 2 weeks

- Electronic C.
- FSA
- Last-time
- LED
- EASY CLEAN
Easy clean
- S/S Filters
- INOX 1mm
AISI 304 - 1mm.
- VF700-Silence
- 1100GP-Silence
- A+
- A+++
- Custom Made

Technical information

- Finishing stainless steel.
- Silence Motors VF700 (A+) and 1100GP (A+++).
- Touch control.
- Deferred stop (Last time).
- Saturation filter alarm.
- LED lighting spotlights (2,1 - 2700K).
- 3 speeds + Booster.
- Optional recirculation.

Optional Accesories

	Ref.
Cylindric Plasma filter C1000	90371
Cylindric Plasma filter C600	90372
Carbon Filter FC-Plus	90381
Recirculation kit (with VF600/700)	90134
AirSoft 1 silencer ducting Ø150	90182

Ducting pipes see page 156

"L" door protection



Includes reversible profile 19 x 16 mm.

*Furniture 2 doors optional accessory

Feel - Built-in hoods (Cut-out)

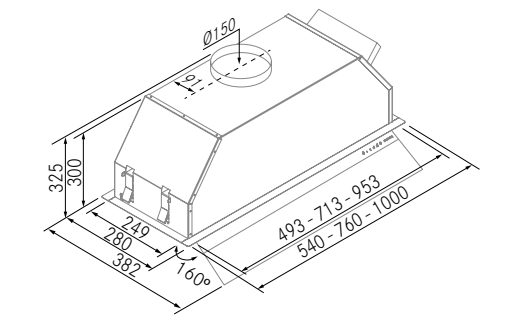
FRECAN



Technical design

Outlet 150 mm.

Cut-out: 259 x 497 mm. - 259 x 730 mm. - 259 x 970 mm.



Watch video



Touch Control



Versions/Technical data

Dimensions (mm)	Finishing	S/S filters	LED strips	Internal Motors			DIS1100GP Ø150	PA1200 Ø200	TJ1900 Ø200
				VF600 Ø150	VF700 Ø150	1100GP Ø150			
540 x 280	Stainless steel	1	1	Ref. 27137					
760 x 280	Stainless steel	2	1	Ref. 27138	27139		27140	27141	27142
1000 x 280	Stainless steel	3	1	Ref. 27143	27144		27145	27146	27147

Minimum delivery time 2 weeks

- TouchControl
- FSA
- Last-time
- LED
- S/S Filters
- VF600-Silence
- VF700-Silence
- 1100GP-Silence

Technical information

- Finishing stainless steel.
- Transparent glass visor.
- Silence Motors VF600 (A), VF700 (A+) and 1100GP (A+++).
- Touch Control.
- Deferred stop (Last time).
- Saturation filter alarm.
- Perimetral & traditional aspiration.
- LED light stripe (5W/meter - 2700K).
- 3 speeds + Booster.
- Optional recirculation.

Optional Accesories

	Ref.
Cylindric Plasma filter C1000	90371
Cylindric Plasma filter C600	90372
Carbon Filter FC-Plus	90381
Recirculation kit (with VF600/700)	90134
AirSoft 1 silencer ducting Ø150	90182

Ducting pipes see page 156



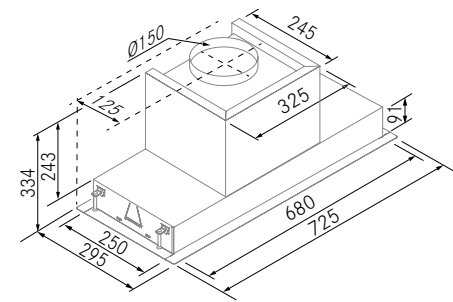
Quo - Built-in hoods (Cut-out)

FRECAN



Technical design

Outlet 150 mm.
Cut-out: 690 x 260 mm.



Interior finish in 100% Stainless steel or matt black furniture.
No need to cash in. More space saving in furniture.

Versions/Technical data

Dimensions (mm)	Finishing	Num. of filters	LED lighting	Internal motor	
				Ref.	VF700 Ø150
725 x 295	Stainless steel	2	2	Ref.	27135
725 x 295	Matt Black	2	2	Ref.	27246

Possibility of other motors consult.



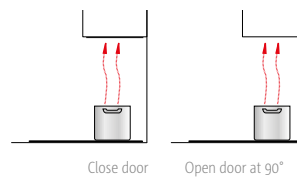
Technical information

- Finishing stainless steel.
- Silent motor VF700 (A+).
- Touch control.
- Deferred stop (Last time).
- Saturation filter alarm.
- Perimetral & traditional aspiration.
- LED lighting spotlights (1,2W - 3000K).
- 3 speeds + Booster.
- Remote control included.
- Optional recirculation.

Optional Accesories

	Ref.
Cylindric Plasma filter C1000	90371
Cylindric Plasma filter C600	90372
Carbon Filter FC-Plus	90381
Recirculation kit	90134
AirSoft 1 silencer ducting Ø150	90182

Ducting pipes see page 156



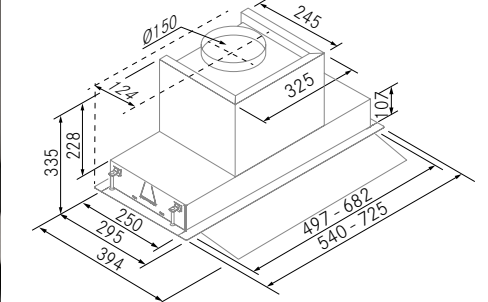
Soul - Built-in hoods (Cut-out)

FRECAN



Technical design

Outlet 150 mm.
Cut-out: 505 x 260 - 690 x 260 mm.



Interior finish in 100% stainless steel.
No need to cash in. More space saving in furniture.

Versions/Technical data

Dimensions (mm)	Finishing	Aluminium filters	LED lighting	Internal Motors	
				Ref.	VF600 Ø150 / VF700 Ø150
540 X 295	Stainless steel	1	1	Ref.	27221
725 X 295	Stainless steel	3	1	Ref.	27222

Possibility of other motors consult.



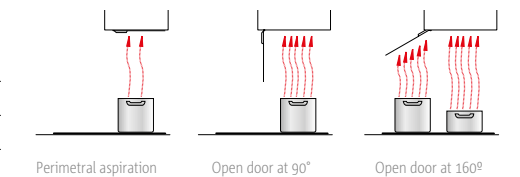
Technical information

- Finishing stainless steel.
- Transparent glass visor.
- Silence Motors VF600 (A) and VF700 (A+)
- Touch control.
- Deferred stop (Last time).
- Saturation filter alarm.
- Perimetral & traditional aspiration.
- LED lighting spotlights (1,2W - 3000K).
- 3 speeds + Booster.
- Optional recirculation.

Optional Accesories

	Ref.
Cylindric Plasma filter C1000	90371
Cylindric Plasma filter C600	90372
Carbon Filter FC-Plus	90381
Recirculation kit	90134
AirSoft 1 silencer ducting Ø150	90182

Ducting pipes see page 156



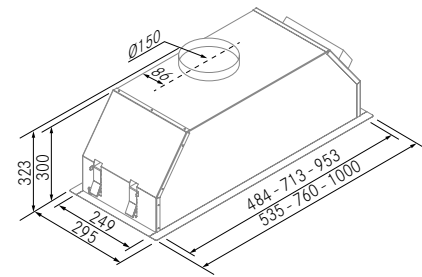
GA Filo - Built-in hoods

FRECAN



Technical design

Outlet 150 mm.
Cut-out: 497 x 259 mm. - 730 x 259 mm. - 970 x 259 mm.



Versions/Technical data

Dimensions (mm)	Finishing	Aluminium filters	LED lighting	Ref.	Internal Motors		
					VF600 Ø150	VF700 Ø150	1100GP* Ø150
535 x 295	Stainless steel	2	2	Ref. 27148			
760 x 295	Stainless steel	3	2	Ref.		27149	27150
1000 x 295	Stainless steel	4	2	Ref.		27151	27152

Possibility of other motors consult.
* Minimum delivery time 2 weeks.



Technical information

- Finishing stainless steel AISI 304.
- Silence Motors VF600 (A), VF700 (A+) and 1100GP (A+++).
- Touch control.
- Deferred stop (Last time).
- Saturation filter alarm.
- LED lighting spotlights (1,2W - 3000K).
- 3 speeds + Booster.
- Remote control included.
- Optional recirculation.

Optional Accesories

	Ref.
Cylindric Plasma filter C1000	90371
Cylindric Plasma filter C600	90372
Carbon Filter FC-Plus	90381
Recirculation kit (with VF600/700)	90134
AirSoft 1 silencer ducting Ø150	90182

Ducting pipes see page 156

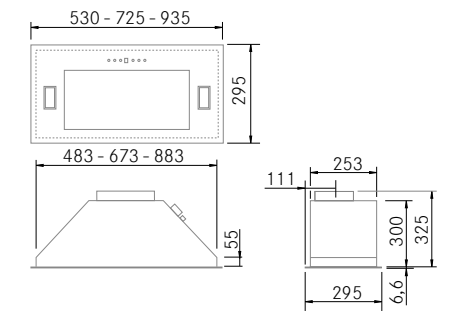
GA - Built-in hoods

FRECAN



Technical design

Outlet 150 mm.
Cut-out: 497 x 267 mm. - 697 x 267 mm. - 897 x 267.



Versions/Technical data

Dimensions (mm)	Finishing	S/S filters	LED lighting	Ref.	Internal Motors		
					VF600 Ø150	VF700 Ø150	1100GP* Ø150
530 x 295	Stainless steel	1	2	Ref. 27153			
725 x 295	Stainless steel	1	2	Ref.		27154	
935 x 295	Stainless steel	2	3	Ref.		27155	27156

Possibility of other motors consult.
* Minimum delivery time 2 weeks.



Technical information

- Finishing stainless steel AISI 304.
- Silence Motors VF600 (A), VF700 (A+) and 1100GP (A+++).
- Touch control.
- Deferred stop (Last time).
- Saturation filter alarm.
- LED lighting spotlights (1,2W - 3000K).
- 3 speeds + Booster.
- Remote control included.
- Optional recirculation.

Optional Accesories

	Ref.
Cylindric Plasma filter C1000	90371
Cylindric Plasma filter C600	90372
Carbon Filter FC-Plus	90381
Recirculation kit (with VF600/700)	90134
AirSoft 1 silencer ducting Ø150	90182

Ducting pipes see page 156

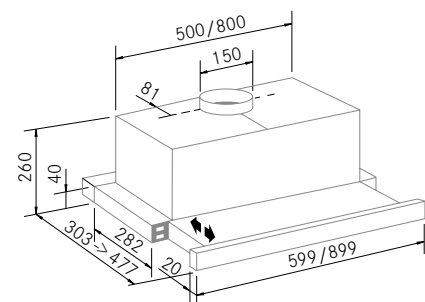
DF HC - Built-in hoods

FRECAN



Technical design

Outlet 150 mm.



Versions/Technical data

Dimensions (mm)	Finishing	S/S filters	LED lighting	Motor	
				Ref.	650GP Ø150
600 x 300	Stainless steel	2	2	Ref.	26192
900 x 300	Stainless steel	4	2	Ref.	26193



LED

Technical information

- Finishing stainless steel.
- Motor V650 (A).
- LED lighting spotlights.
- 3 speeds.
- Includes furniture spacer 320 and 350 full depth (with door).
- Optional recirculation.

Optional Accesories

	Ref.
Cylindric Plasma filter C600	90372
Carbon Filter FC-Plus	90381
Carbon filter DF	90227
AirSoft 1 silencer ducting Ø120	90229

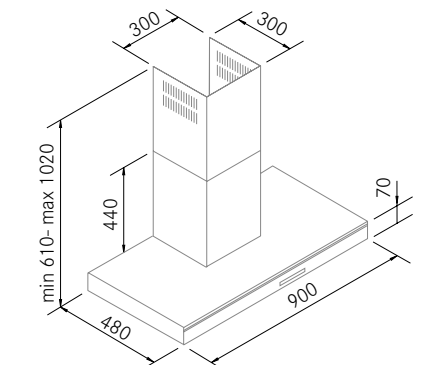
Ducting pipes see page 156

Wall Hoods

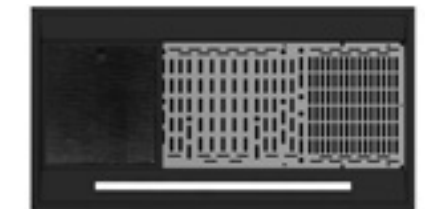


Technical design

Outlet 150 mm.



Balanced Aspiration System.



Black lacquered Aluminium filters.

Versions/Technical data

Dimensions (mm)	Finishing	Aluminium filters	LED strips	Motor
900 x 480	Black Lacquered	3	2	VF700 Ø150
				Ref. 27157



Technical information

- Finishing Black Lacquered (RAL 9005).
- White or black lacquered Aluminium filters.
- Silent motor VF700 (A+).
- Touch Control.
- Isolated motor with sound absorbing material.
- Deferred stop (Last time).
- Saturation filter alarm.
- LED light stripe (5W/meter - 2700K).
- 3 speeds + Booster.
- A.C. System (balanced aspiration).
- Optional recirculation.

Optional Accessories

	Ref.
Cylindric Plasma filter C1000*	90371
* Acc. Required for Plasma C1000 installation	90198
Cylindric Plasma filter C600	90372
Carbon Filter FC-Plus	90381
Recirculation kit	90133
AirSoft 1 silencer ducting Ø150	90182

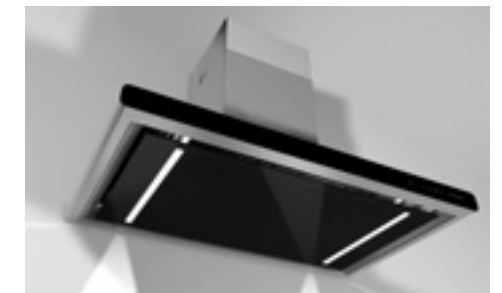
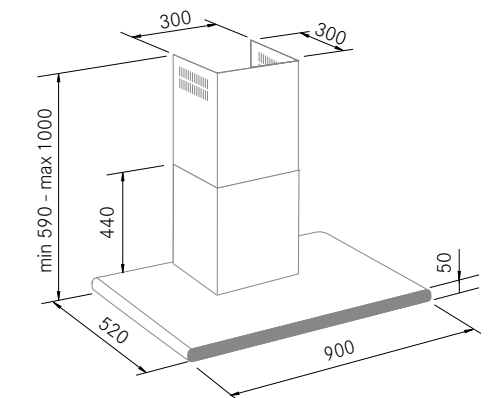
Ducting pipes see page 156

Top tube extensions see page 157



Technical design

Outlet 150 mm.



Versions/Technical data

Dimensions (mm)	Aluminium filters	LED strips
900 x 520	2	2

Internal motor

VF700 Ø150
Ref. 27158



Technical information

- Finishing stainless steel AISI 304 of 1,2 mm. & glass.
- Silent motor VF700 (A+).
- Touch Control.
- Isolated motor with sound absorbing material.
- Deferred stop (Last time).
- Saturation filter alarm.
- LED light stripe (5W/meter - 2700K).
- Perimetral aspiration.
- 3 speeds + Booster.
- Optional recirculation.

Optional Accesories

	Ref.
Cylindric Plasma filter C1000*	90371
* Acc. Required for Plasma C1000 installation	90198
Cylindric Plasma filter C600	90372
Carbon Filter FC-Plus	90381
Recirculation kit	90133
AirSoft 1 silencer ducting Ø150	90182
Ducting pipes see page 156	
Top tube extensions see page 157	

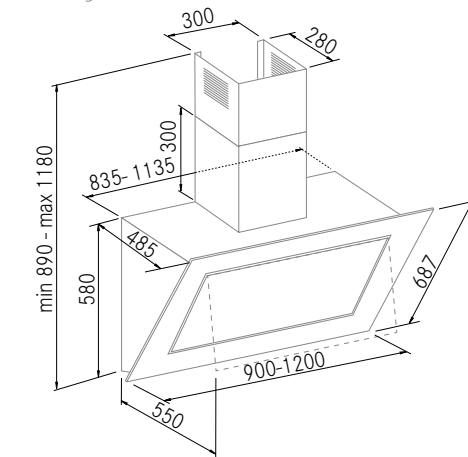
Quasar - Wall Hoods

FRECAN

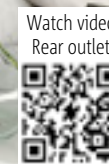
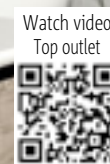


Technical design

Outlet 150 mm.



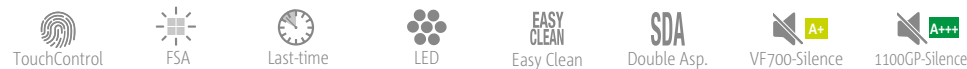
Double aspiration system SDA



Versions/Technical data

Dimensions (mm)	Finishing	Filters		LED lighting	Ref.	Internal motor		Dissociable Engine DIS1100GP Ø150	Wall motors PA1200 Ø200	Roof motors TJ1900 Ø200
		Aluminium	S/S			VF700 Ø150	1100GP Ø150			
900 x 485	White glass	2	1	2	Ref.	27159	27160	27161	27162	27163
900 x 485	Black glass	2	1	2	Ref.	27164	27165	27166	27167	27168
1200 x 485	White glass	3	1	2	Ref.	27169	27170	27171	27172	27173
1200 x 485	Black glass	3	1	2	Ref.	27174	27175	27176	27177	27178

Minimum delivery time 2 weeks

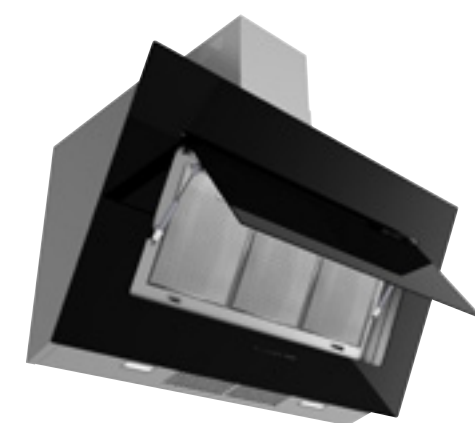


Technical information

- Finishing S/S & White or Black Glass (RAL 9003 or 9005).
- Silence Motors VF700 (A+) and 1100GP (A+++).
- Touch Control.
- Door opening pistons.
- Deferred stop (Last time).
- Saturation filter alarm.
- LED lighting spotlights (1,2W - 3000K).
- Double aspiration system SDA.
- Perimetral & traditional aspiration.
- 3 speeds + Booster.
- Easy clean panel.
- Rear ducting available.
- Optional recirculation.

Optional Accesories

	Ref.
Cylindric Plasma filter C1000	90371
Cylindric Plasma filter C600	90372
Carbon Filter FC-Plus	90381
Recirculation kit (with VF700)	90134
AirSoft 1 silencer ducting Ø150	90182
<i>Ducting pipes see page 156</i>	
<i>Top tube extensions see page 157</i>	



Les prix sont des P.V.R. sans TVA - Étiquetage énergétique, voir référence à la page 164.

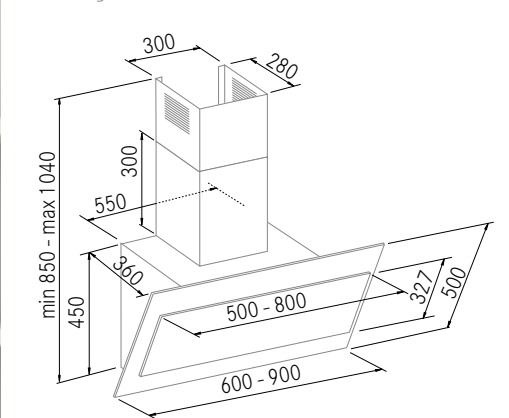
Limit - Wall Hoods

FRECAN

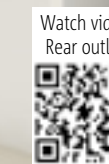
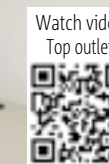


Technical design

Outlet 150 mm.



Double aspiration system SDA



Versions/Technical data

Dimensions (mm)	Finishing	Filters		LED lighting	Ref.	Motor VF700 Ø150
		Aluminium	S/S			
600 x 360	White glass	1	1	2	Ref.	27132
600 x 360	Black glass	1	1	2	Ref.	27133
900 x 360	White glass	1	1	2	Ref.	27179
900 x 360	Black glass	1	1	2	Ref.	27180

Possibility of other motors consult.



Technical information

- Finishing S/S & White or Black Glass (RAL 9003 or 9005).
- Silent motor VF700 (A+).
- Touch Control.
- Deferred stop (Last time).
- Saturation filter alarm.
- LED lighting spotlights (1,2W - 3000K).
- Double aspiration system SDA.
- Perimetral & traditional aspiration.
- 3 speeds + Booster.
- Easy clean panel.
- Rear ducting available.
- Optional recirculation.

Optional Accesories

	Ref.
Cylindric Plasma filter C1000	90371
Cylindric Plasma filter C600	90372
Carbon Filter FC-Plus	90381
Recirculation kit (with VF700)	90134
AirSoft 1 silencer ducting Ø150	90182
<i>Ducting pipes see page 156</i>	
<i>Top tube extensions see page 157</i>	



Les prix sont des P.V.R. sans TVA - Étiquetage énergétique, voir référence à la page 164.

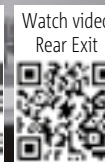
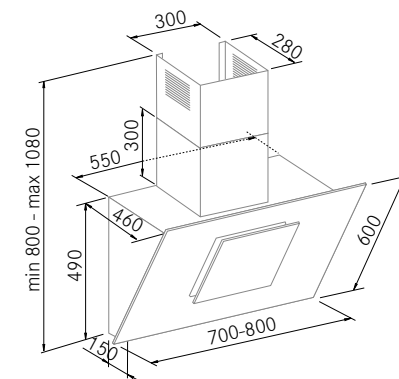
Odyssey - Wall Hoods

FRECAN



Technical design

Outlet 150 mm.



Versions/Technical data

Dimensions (mm)	Finishing	Aluminium filters	LED lighting	Ref.	Motor
					VF700 Ø150
700 x 460	White glass	1	2	Ref.	27181
700 x 460	Black glass	1	2	Ref.	27182
800 x 460	White glass	1	2	Ref.	27183
800 x 460	Black glass	1	2	Ref.	27184

Possibility of other motors consult.



Technical information

- Finishing S/S & White or Black Glass (RAL 9003 or 9005).
- Silent motor VF700 (A+).
- Touch Control.
- Deferred stop (Last time).
- Saturation filter alarm.
- LED lighting spotlights (2,1W - 3000K).
- Perimetral aspiration.
- 3 speeds + Booster.
- Rear ducting available.
- Optional recirculation.

Optional Accesories

	Ref.
Cylindric Plasma filter C1000	90371
Cylindric Plasma filter C600	90372
Carbon Filter FC-Plus	90381
Recirculation kit (with VF700)	90134
AirSoft 1 silencer ducting Ø150	90182
<i>Ducting pipes see page 156</i>	
<i>Top tube extensions see page 157</i>	



Les prix sont des P.V.R. sans TVA - Étiquetage énergétique, voir référence à la page 164.

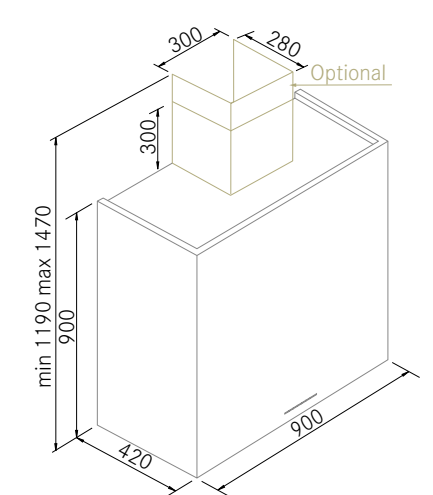
Square - Wall Hoods

FRECAN



Technical design

Outlet 150 mm.



Ultra thin touch control

Versions/Technical data

Dimensions (mm)	Finishing	S/S filters	LED lighting	Ref.	Motor
					VF700 Ø150
900 x 420	Stainless steel	2	2	Ref.	27185

Possibility of other motors consult.



Technical information

- Finishing stainless steel.
- Silent motor VF700 (A+).
- Touch control.
- Deferred stop (Last time).
- Saturation filter alarm.
- LED lighting spotlights (1,2W - 3000K).
- Double aspiration system SDA.
- Perimetral & traditional aspiration.
- 3 speeds + Booster.
- Easy clean panel.
- Rear ducting available.
- Optional recirculation.

Optional Accesories

	Ref.
Cylindric Plasma filter C1000	90371
Cylindric Plasma filter C600	90372
Carbon Filter FC-Plus	90381
Recirculation kit (with VF700)	90134
Decorative tube	90177
<i>Ducting pipes see page 156</i>	
<i>Top tube extensions see page 157</i>	



Les prix sont des P.V.R. sans TVA - Étiquetage énergétique, voir référence à la page 164.

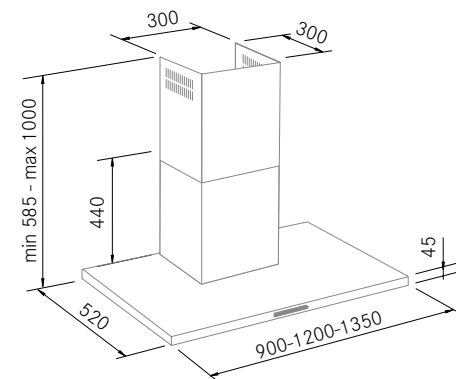
Mercury - Wall Hoods

FRECAN



Technical design

Outlet 150 mm.



Balanced Aspiration System.



High Class stainless steel filters (9 layers).

Versions/Technical data

Dimensions (mm)	Finishing	S/S High Class Filters	LED strips	Ref.	Motor	Dissociable Engine	Wall motors	Roof motors
					1100GP Ø150	DIS1100GP Ø150	PA1200 Ø200	TJ1900 Ø200
900 x 520	Stainless steel	3	1	Ref.	26229	26230	26231	26232
1200 x 520	Stainless steel	4	1	Ref.	26237	26238	26239	26240
1350 x 520	Stainless steel	5	1	Ref.	26241	26242	26243	26244

Minimum delivery time 2 weeks



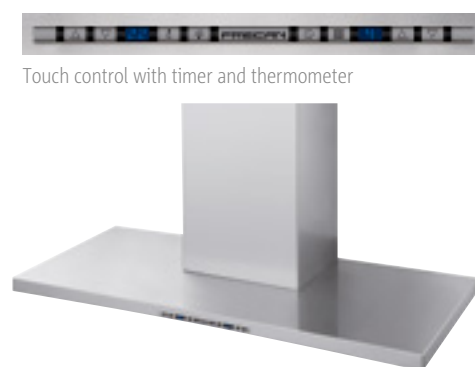
Technical information

- Finishing stainless steel AISI 304 - 1mm.
- Silent motor R1100GP-Silence (A+++).
- Touch control.
- Isolated motor with sound absorbing material.
- Deferred stop (Last time).
- Saturation filter alarm.
- LED light stripe (5W/meter - 2700K).
- Easy clean panel.
- A.C. System (balanced aspiration).
- 3 speeds + Booster.
- Optional recirculation.

Optional Accessories

	Ref.
Cylindric Plasma filter C1000*	90371
* Acc. Required for Plasma C1000 installation	90198
Carbon Filter FC-Plus	90381
Recirculation kit	90133
AirSoft 1 silencer ducting Ø150	90182
Ducting pipes see page 156	
Top tube extensions see page 157	

For custom manufacturing consult FRECAN.



Touch control with timer and thermometer

Les prix sont des P.V.R. sans TVA - Étiquetage énergétique, voir référence à la page 164.

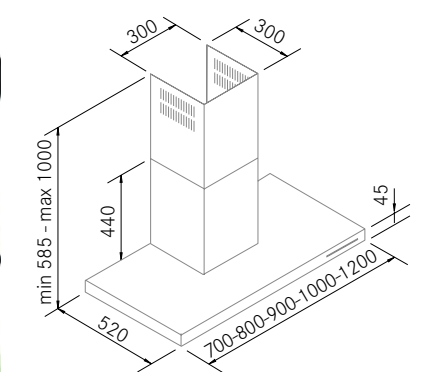
Fine - Wall Hoods

FRECAN



Technical design

Outlet 150 mm.



Balanced Aspiration System.



Versions/Technical data

Dimensions (mm)	Finishing	S/S filters	LED lighting	Ref.	Internal Motors		Dissociable Engine	Wall motors	Roof motors
					VF700 Ø150	1100GP Ø150	DIS1100GP Ø150	PA1200 Ø200	TJ1900 Ø200
700 x 520	Stainless steel	2	2	Ref.	27186				
800 x 520	Stainless steel	2	2	Ref.	27187				
900 x 520	Stainless steel	3	2	Ref.	27188	27189	27190	27191	27192
1000 x 520	Stainless steel	3	3	Ref.		27193	27194	27195	27196
1200 x 520	Stainless steel	4	3	Ref.		27197	27198	27199	27200

Minimum delivery time 2 weeks

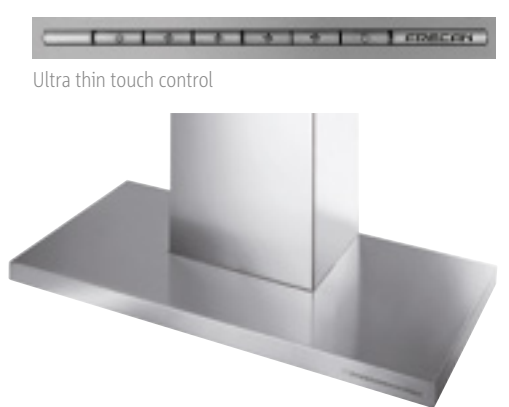


Technical information

- Finishing stainless steel AISI 304 - 1mm.
- Silence Motors VF700 (A+) and 1100GP (A+++).
- Touch control.
- Isolated motor with sound absorbing material.
- Deferred stop (Last time).
- Saturation filter alarm.
- LED lighting spotlights (1,2W - 3000K).
- A.C. System (balanced aspiration).
- 3 speeds + Booster.
- Optional recirculation.

Optional Accessories

	Ref.
Cylindric Plasma filter C1000*	90371
* Acc. Required for Plasma C1000 installation	90198
Cylindric Plasma filter C600	90372
Carbon Filter FC-Plus	90381
Recirculation kit	90133
AirSoft 1 silencer ducting Ø150	90182
Ducting pipes see page 156	
Top tube extensions see page 157	



Ultra thin touch control

Les prix sont des P.V.R. sans TVA - Étiquetage énergétique, voir référence à la page 164.

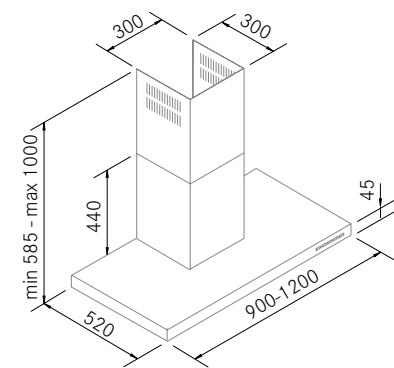
White & Black - Wall Hoods

FRECAN



Technical design

Outlet 150 mm.



Balanced Aspiration System.



Black or white lacquered aluminium filters.



Optionally you can request the brushed color. Delivery time min. 2 weeks

See Finish on page 136.

Versions/Technical data

Dimensions (mm)	Finishing	Aluminium filters	LED lighting	Ref.	Internal Motors	
					VF700 Ø150	1100GP Ø150
900 x 520	White Lacquered	3	2	Ref.	27201	
900 x 520	Black Lacquered	3	2	Ref.	27202	
1200 x 520	White Lacquered	4	3	Ref.		27244
1200 x 520	Black Lacquered	4	3	Ref.		27245

Possibility of other motors consult.



Technical information

- Finishing white or black lacquered (RAL 9003/9005).
- White or black lacquered aluminium filters.
- Silence Motors VF700 (A+) and 1100GP (A+++).
- Touch control.
- Isolated motor with sound absorbing material.
- Deferred stop (Last time).
- Saturation filter alarm.
- LED lighting spotlights (1,2W - 3000K).
- A.C. System (balanced aspiration).
- 3 speeds + Booster.
- Optional recirculation.

Optional Accesories

	Ref.
Cylindric Plasma filter C1000*	90371
* Acc. Required for Plasma C1000 installation	90198
Cylindric Plasma filter C600	90372
Carbon Filter FC-Plus	90381
Recirculation kit	90133
AirSoft 1 silencer ducting Ø150	90182
Ducting pipes see page 156	
Top tube extensions see page 157	

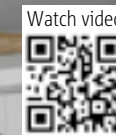
Ultra-thin touch control in white or gray (depending on model)



Les prix sont des P.V.R. sans TVA - Étiquetage énergétique, voir référence à la page 164.

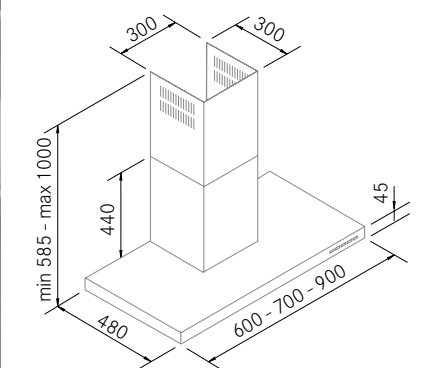
QFine - Wall Hoods

FRECAN



Technical design

Outlet 150 mm.



Versions/Technical data

Dimensions (mm)	Finishing	Aluminium filters	LED lighting	Ref.	Motor
					VF700 Ø150
600 x 480	Stainless steel	2	2	Ref.	27203
700 x 480	Stainless steel	2	2	Ref.	27204
900 x 480	Stainless steel	3	2	Ref.	27205

Possibility of other motors consult.



Technical information

- Finishing stainless steel.
- Silent motor VF700 (A+).
- Touch control.
- Isolated motor with sound absorbing material.
- Deferred stop (Last time).
- Saturation filter alarm.
- LED lighting spotlights (1,2W - 3000K).
- 3 speeds + Booster.
- Remote control included.
- Optional recirculation.

Optional Accesories

	Ref.
Cylindric Plasma filter C1000	90371
* Acc. Required for Plasma C1000 installation	90198
Cylindric Plasma filter C600	90372
Carbon Filter FC-Plus	90381
Recirculation kit	90133
AirSoft 1 silencer ducting Ø150	90182
Ducting pipes see page 156	
Top tube extensions see page 157	



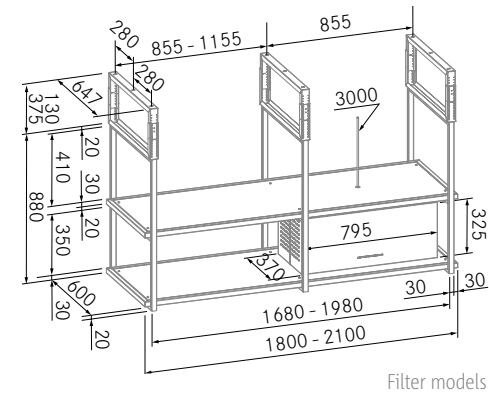
Les prix sont des P.V.R. sans TVA - Étiquetage énergétique, voir référence à la page 164.

Island Hoods

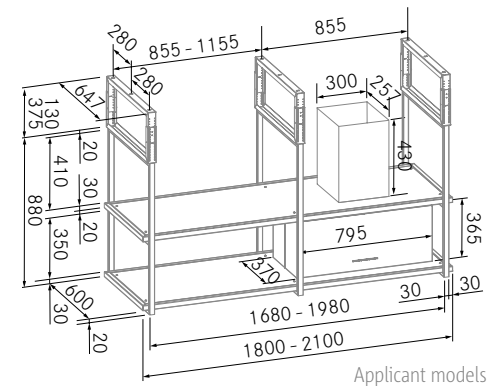




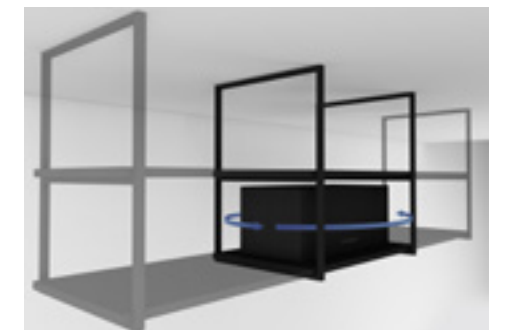
Technical designs



Filter models



Applicant models



Reversible motor drawer to adapt to any design.

Versions/Technical data

Dimensions (mm)	Finishing	Aluminium filters	LED lighting	Aspiration Type	Motor	
					Ref.	ST8 Ø150
1800 x 647	Black Lacquered	3	2	Plasma filter	Ref.	27234
1800 x 647	Black Lacquered	3	2	Applicant	Ref.	27235
2100 x 647	Black Lacquered	3	2	Plasma filter	Ref.	27236
2100 x 647	Black Lacquered	3	2	Applicant	Ref.	27237

Possibility of other motors consult.



Technical information

- Finishing Black Lacquered (RAL 9005).
- Silent motor ST8 (A++).
- Touch control.
- Deferred stop (Last time).
- Saturation filter alarm.
- LED light stripe (5W/meter - 2700K).
- 3 speeds + Booster.
- Plasma recirculation (filtering version).

Plasma filter

See more information on page 142
Included in filter model



Plasma Filtering Model (27236) Measure 2100



Plasma Filtering Model (27236) Measure 1800



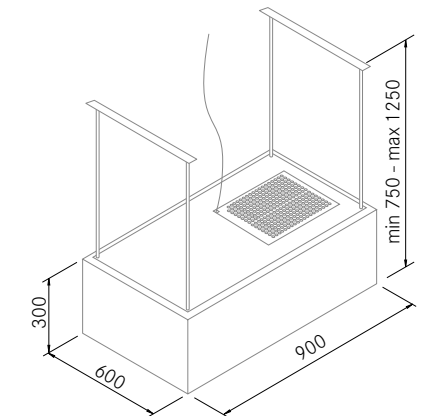
Applicant model (27237) Measure 2100



Applicant model (27235) Measure 1800



Technical designs



Halo is a filter lamp model with two independent illuminations; the work light commanded from your Remote Control and the peripheral ambient light that is independently connected to the kitchen switches.

Versions/Technical data

Dimensions (mm)	Finishing	Recirculation	Aluminium filters	LED lighting	Motor
900 x 600	Stainless steel White Methacrylate	Plasma C600	3	4 + 4	VF600
					Ref. 26274



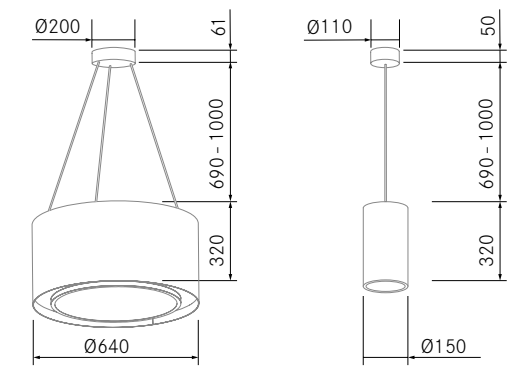
Technical information

- Finishing stainless steel & White Methacrylate.
- Silent motor VF600 (A).
- Deferred stop (Last time).
- Saturation filter alarm.
- Perimetral aspiration.
- Ambient lighting LED (2x18 W + 2x12W - 4000K).
- Work lighting LED (1,2W - 3000K).
- 3 speeds + Booster.
- Remote control included.
- (This model is controlled by remote control only).
- Recirculation Included by Plasma Filter FRECAN C600.

Plasma filter

See more information on page 142





The iLight model was born with the aim of creating a high performance filtration system combined with a designer lighting system. A combination that certainly does not go unnoticed.



Versions/Technical data

Dimensions (mm)	Finishing	Aluminium filters	LED lighting	Aspiration Type	Motor
640 x 320	White Lacquered	1	1	Plasma filter	VF600 Ø150 Ref. 27207

Additional lamps

Dimensions (mm)	Finishing	LED lighting	Ref.
150 x 320	White Lacquered	1	27206.



Remote



FSA



Last-time



LED



VF600-Silence

Technical information

- Finishing en White Lacquered (9003).
- Silent motor VF600 (A).
- Deferred stop (Last time).
- Saturation filter alarm.
- Perimetral aspiration.
- LED lighting spotlights (3000K).
- 3 speeds + Booster.
- Remote control included.
- (This model is controlled by remote control only).
- Recirculation Included by Plasma Filter FRECAN C600.

Plasma filter

See more information on page 142
Included in filter model

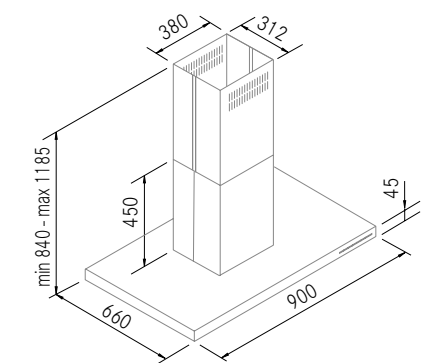




A++

Technical design

Outlet 150 mm.



Balanced Aspiration System.



White or black lacquered Aluminium filters.

Versions/Technical data

Dimensions (mm)	Finishing	Aluminium filters	LED lighting	Motor
900 x 660	White Lacquered	3	2	Ref. 1100GP Ø150 27208
900 x 660	Black Lacquered	3	2	Ref. 27209

Possibility of other motors consult.

- Electronic C.
- FSA
- Last-time
- LED
- Coloured Filter
- BA system Bal. Asp.
- EASY CLEAN Easy Clean
- 1100GP-Silence
- Custom Made

Optionally you can request the brushed color.
Delivery time min. 2 weeks

Technical information

- Finishing white lacquered o Black (RAL 9003/9005).
- White or black lacquered Aluminium filters.
- Silent motor 1100GP (A+++).
- Touch control.
- Isolated motor with sound absorbing material.
- Deferred stop (Last time).
- Saturation filter alarm.
- LED lighting spotlights (1,2W - 3000K).
- A.C. System (balanced aspiration).
- 3 speeds + Booster.
- Optional recirculation.

Optional Accessories

	Ref.
Cylindric Plasma filter C1000	90371
Cylindric Plasma filter C600	90372
Carbon Filter FC-Plus	90381
Recirculation kit	90133
AirSoft 1 silencer ducting Ø150	90182
<i>Ducting pipes see page 156</i>	



Ultra-thin touch control in white or gray (depending on model)



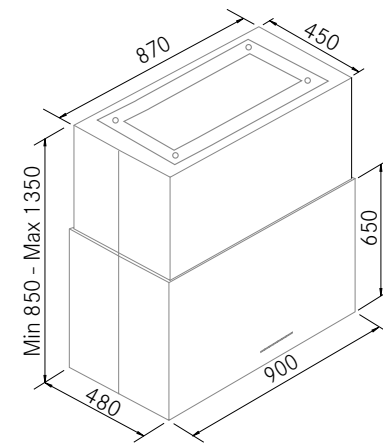
Square - Island Hoods

FRECAN



Technical design

Outlet 150 mm.



Ultra thin touch control

Versions/Technical data

Dimensions (mm)	Finishing	S/S filters	LED lighting	Motor
900 x 480	Stainless steel	2	4	VF700 Ø150
				Ref. 27210

Possibility of other motors consult.



Technical information

- Finishing in stainless steel.
- Silent motor VF700 (A+).
- Touch control.
- Deferred stop (Last time).
- Saturation filter alarm.
- LED lighting spotlights (1,2W - 3000K).
- 3 speeds + Booster.
- Optional recirculation.

Optional Accesories

	Ref.
Cylindric Plasma filter C1000	90371
Cylindric Plasma filter C600	90372
Carbon Filter FC-Plus	90381
Recirculation kit (with VF700)	90134
DOES NOT ADMIT CHIMNEY EXTENSIONS.	
Ducting pipes see page 156	
For custom manufacturing consult FRECAN.	



Les prix sont des P.V.R. sans TVA - Étiquetage énergétique, voir référence à la page 164.

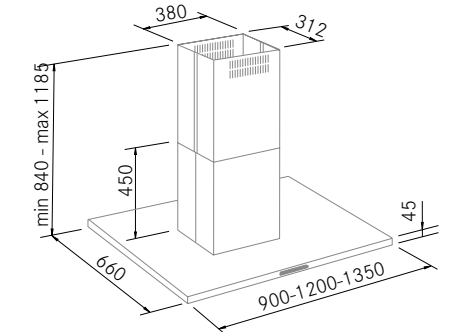
Mercury - Island Hoods

FRECAN



Technical design

Outlet 150 mm.



Balanced Aspiration System.



High Class stainless steel filters (9 layers).

Versions/Technical data

Dimensions (mm)	Finishing	S/S High Class Filters	LED lighting	Ref.	Internal motor	Dissociable Engine	Wall motors	Roof motors
					1100GP Ø150	DIS1100GP Ø150	PA1200 Ø200	TJ1900 Ø200
900 x 660	Stainless steel	3	1	Ref. 26283	26283	26284	26285	26286
1200 x 660	Stainless steel	4	1	Ref. 26287	26287	26288	26289	26290
1350 x 660	Stainless steel	5	1	Ref. 26279	26279	26280	26281	26282

Minimum delivery time 2 weeks



Technical information

- Finishing stainless steel AISI 304 - 1mm.
- Silent motor 1100GP (A+++).
- Touch control.
- Isolated motor with sound absorbing material.
- Deferred stop (Last time).
- Saturation filter alarm.
- LED light stripe (5W/meter - 2700K).
- Timer and thermometer.
- Easy clean panel.
- A.C. System (balanced aspiration).
- 3 speeds + Booster.
- Easy installation system for Island hoods.
- Optional recirculation.

Optional Accesories

	Ref.
Cylindric Plasma filter C1000	90371
Carbon Filter FC-Plus	90381
Recirculation kit	90185
AirSoft 1 silencer ducting Ø150	90182
Ducting pipes see page 156	
Top tube extensions see page 157	
Top tube extensions see page 157	

For custom manufacturing consult FRECAN.



Touch control with timer and thermometer



Les prix sont des P.V.R. sans TVA - Étiquetage énergétique, voir référence à la page 164.

Fine - Island Hoods

FRECAN

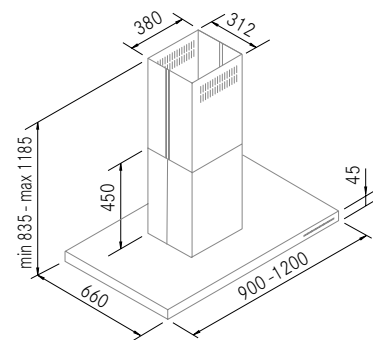


A++



Technical design

Outlet 150 mm.



Balanced Aspiration System.



Versions/Technical data

Dimensions (mm)	Finishing	Num. of filters	LED lighting	Ref.	Internal motor	Dissociable Engine	Wall motors	Roof motors
					1100GP Ø150	DIS1100GP Ø150	PA1200 Ø200	TJ1900 Ø200
900 x 660	Stainless steel	3	4	Ref.	27211	27212	27213	27214
1200 x 660	Stainless steel	4	6	Ref.	27215	27216	27217	27218

Minimum delivery time 2 weeks



Technical information

- Finishing stainless steel AISI 304. de 1mm.
- Silent motor 1100GP (A+++).
- Touch control.
- Isolated motor with sound absorbing material.
- Deferred stop (Last time).
- Saturation filter alarm.
- LED lighting spotlights (1,2W - 3000K).
- A.C. System (balanced aspiration).
- 3 speeds + Booster.
- Easy installation system for Island hoods.
- Optional recirculation.

Optional Accessories

	Ref.
Cylindric Plasma filter C1000	90371
Carbon Filter FC-Plus	90381
Recirculation kit	90185
AirSoft 1 silencer ducting Ø150	90182
<i>Ducting pipes see page 156</i>	
<i>Top tube extensions see page 157</i>	
<i>Top tube extensions see page 157</i>	

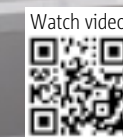


Ultra thin touch control



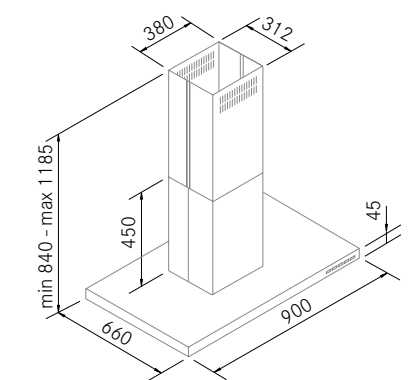
QFine - Island Hoods

FRECAN



Technical design

Outlet 150 mm.



Versions/Technical data

Dimensions (mm)	Finishing	Aluminium filters	LED lighting	Ref.	Motor
					VF700 Ø150
900 x 660	Stainless steel	3	4	Ref.	27219

Possibility of other motors consult.



Technical information

- Finishing stainless steel.
- Silent motor VF700 (A+).
- Touch control.
- Isolated motor with sound absorbing material.
- Deferred stop (Last time).
- Saturation filter alarm.
- LED lighting spotlights (1,2W - 3000K).
- 3 speeds + Booster.
- Remote control included.
- Easy installation system for Island hoods.
- Optional recirculation.

Optional Accessories

	Ref.
Cylindric Plasma filter C1000	90371
Cylindric Plasma filter C600	90372
Carbon Filter FC-Plus	90381
Recirculation kit	90185
AirSoft 1 silencer ducting Ø150	90182
<i>Ducting pipes see page 156</i>	
<i>Top tube extensions see page 157</i>	
<i>Top tube extensions see page 157</i>	



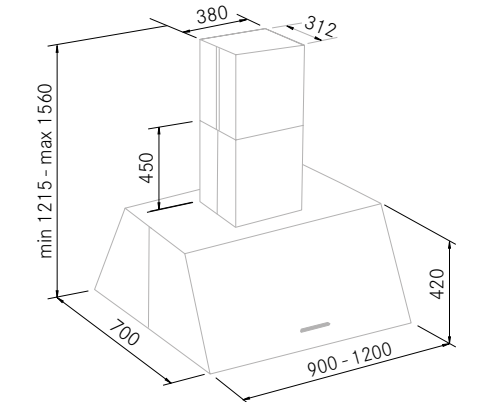
Vintage Hoods



A++

Technical design

Outlet 150 mm.



Versions/Technical data

Dimensions (mm)	Finishing	S/S filters	LED lighting	Ref.	Motor	Dissociable Engine	Wall motors	Roof motors
					1100GP Ø150	DIS1100GP Ø150	PA1200 Ø200	TJ1900 Ø200
900 x 700	Stainless steel	4	3	Ref.	26338	26339	26340	26341
1200 x 700	Stainless steel	6	4	Ref.	26342	26343	26344	26345

Minimum delivery time 2 weeks

- Electronic C.
- FSA
- Last-time
- LED
- S/S Filters
- AISI 304 - 1mm.
- 1100GP-Silence
- A+++
- Custom Made

Technical information

- Finishing stainless steel AISI 304 - 1mm.
- Silent motor 1100GP (A+++).
- Touch control.
- Deferred stop (Last time).
- Saturation filter alarm.
- LED lighting spotlights (2,1W - 3000K).
- 3 speeds + Booster.
- Optional recirculation.

Optional Accesories

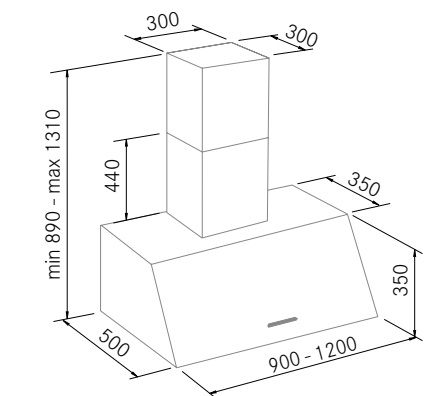
	Ref.
Cylindric Plasma filter C1000	90371
Carbon Filter FC-Plus	90381
AirSoft 1 silencer ducting Ø150	90182
<i>Ducting pipes see page 156</i>	
<i>Top tube extensions see page 157</i>	
<i>Top tube extensions see page 157</i>	



A++

Technical design

Outlet 150 mm.



Versions/Technical data

Dimensions (mm)	Finishing	S/S filters	LED lighting	Motor			
				1100GP Ø150	Dissociable Engine DIS1100GP Ø150	Wall motors PA1200 Ø200	Roof motors TJ1900 Ø200
900 x 500	Stainless steel	3	2	Ref. 26330	26331	26332	26333
1200 x 500	Stainless steel	4	3	Ref. 26334	26335	26336	26337

Minimum delivery time 2 weeks

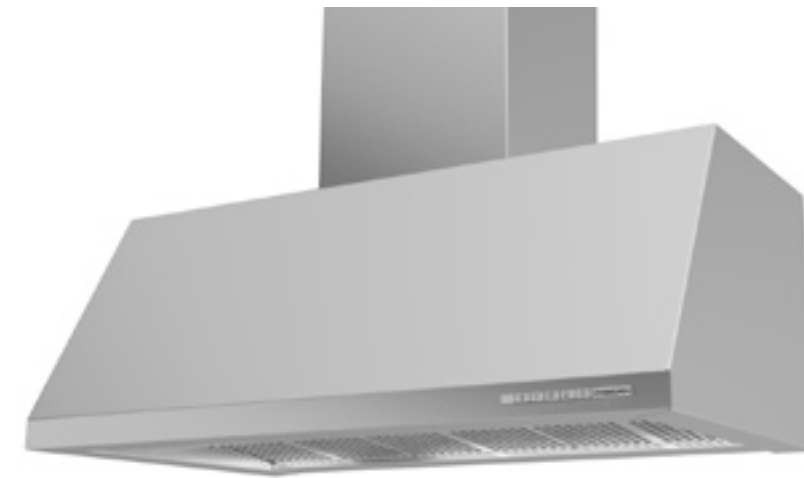


Technical information

- Finishing stainless steel AISI 304 - 1mm.
- Silent motor 1100GP (A+++).
- Touch control.
- Deferred stop (Last time).
- Saturation filter alarm.
- LED lighting spotlights (2,1W - 3000K).
- Timer and thermometer.
- Easy clean panel.
- A.C. System (balanced aspiration).
- 3 speeds + Booster.
- Rear ducting available.
- Optional recirculation.

Optional Accesories

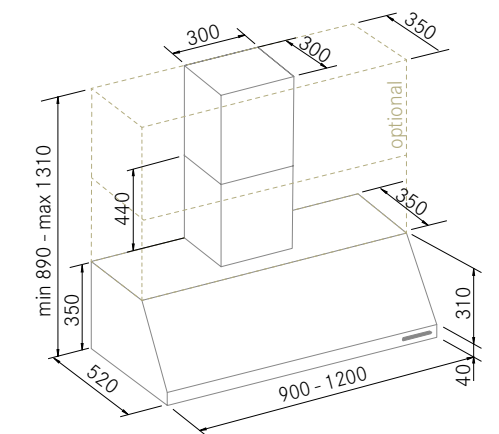
	Ref.
Cylindric Plasma filter C1000	90371
Carbon Filter FC-Plus	90381
AirSoft 1 silencer ducting Ø150	90182
Ducting pipes see page 156	
Top tube extensions see page 157	



A++

Technical design

Outlet 150 mm.



Versions/Technical data

Dimensions (mm)	S/S filters	LED strips	Motor	Ref.	Finishing		
					Stainless steel	White	Black
900	3	1	S8	Ref. 26302	26306	26310	
1200	4	2	S8	Ref. 26303	26307	26311	

Vintage finishes on request, minimum delivery time 6 weeks see page 136 - Other motors consult.

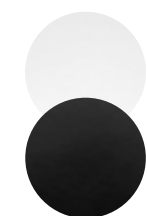


Technical information

- Finishing S/S & White lacquered or Black (RAL 9003/9005).
- Silence Motors S8 (A+).
- Touch control.
- Deferred stop (Last time).
- Saturation filter alarm.
- LED light stripe (5W/meter - 2700K).
- Easy clean panel.
- A.C. System (balanced aspiration).
- 3 speeds + Booster.
- Rear ducting available.
- Optional recirculation.

Optional Accesories

	Ref.
Cylindric Plasma filter C1000	90371
Cylindric Plasma filter C600	90372
Carbon Filter FC-Plus	90381
Chimney width 900 Inox (Term 4 weeks)	90312
Chimney width 900 White (Term 4 weeks)	90313
Chimney width 900 Black (Term 4 weeks)	90314
Chimney width 1200 Inox (Term 4 weeks)	90316
Chimney width 1200 White (Term 4 weeks)	90317
Chimney width 1200 Black (Term 4 weeks)	90318
AirSoft 1 silencer ducting Ø150	90182
Ducting pipes see page 156	
Top tube extensions see page 157	



Optionally you can request the brushed color.

Delivery time min. 2 weeks

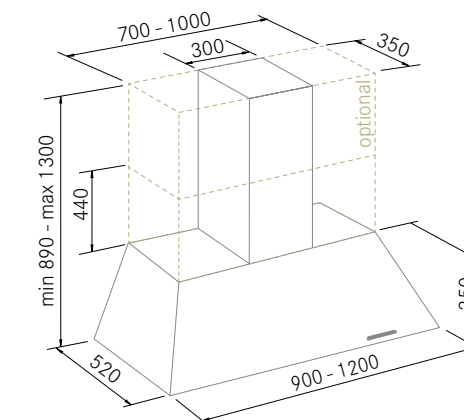
See Finish on page 136.



A++

Technical design

Outlet 150 mm.



Versions/Technical data

Dimensions (mm)	S/S filters	LED strips	Motor	Ref.	Finishing		
					Stainless steel	White	Black
900	3	1	S8	Ref. 26314	26316	26318	
1200	4	2	S8	Ref. 26315	26317	29319	

Vintage finishes on request, minimum delivery time 6 weeks see page 136 - Other motors consult.

- Electronic C.
- FSA
- Last-time
- LED
- S/S Filters
- BA system Bal. Asp.
- EASY CLEAN Easy clean
- 1inox 304 - 1mm.
- S8-Silence

Technical information

- Finishing S/S and White/Black lacquered (RAL 9003/9005).
- S8 silent motor (A+).
- Touch control.
- Deferred stop (Last time).
- Saturation filter alarm.
- LED light stripe (5W/meter - 2700K).
- Easy clean panel.
- A.C. System (balanced aspiration).
- 3 speeds + Booster.
- Rear ducting available.
- Optional recirculation.

Optional Accesories

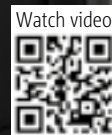
	Ref.
Cylindric Plasma filter C1000	90371
Cylindric Plasma filter C600	90372
Carbon Filter FC-Plus	90381
Chimney width 700 Inox (Term 4 weeks)	90320
Chimney width 700 White (Term 4 weeks)	90321
Chimney width 700 Black (Term 4 weeks)	90322
Chimney width 1000 Inox (Term 4 weeks)	90324
Chimney width 1000 White (Term 4 weeks)	90325
Chimney width 1000 Black (Term 4 weeks)	90326
AirSoft 1 silencer ducting Ø150	90182
<i>Ducting pipes see page 156</i>	
<i>Top tube extensions see page 157</i>	



Optionally you can request the brushed color.

Delivery time min. 2 weeks

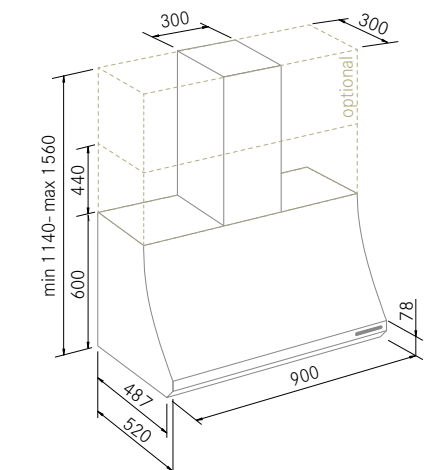
See Finish on page 136.



A++

Technical design

Outlet 150 mm.



Versions/Technical data

Dimensions (mm)	S/S filters	LED strips	Motor	Finishing	
				White	Black
900	4	1	S8	Ref. 26320	26322

Vintage finishes on request, minimum delivery time 6 weeks see page 136 - Other motors consult.



Technical information

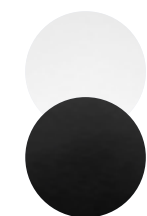
- Finishing White lacquered or Black (RAL 9003/9005).
- S8 silent motor (A+).
- Touch control.
- Deferred stop (Last time).
- Saturation filter alarm.
- LED light stripe (5W/meter - 2700K).
- Easy clean panel.
- A.C. System (balanced aspiration).
- 3 speeds + Booster.
- Rear ducting available.
- Optional recirculation.

Optional Accesories

	Ref.
Cylindric Plasma filter C1000	90371
Cylindric Plasma filter C600	90372
Carbon Filter FC-Plus	90381
Chimney width 900 White (Term 4 weeks)	90329
Chimney width 900 Black (Term 4 weeks)	90330
Chimney width 1200 White (Term 4 weeks)	90333
Chimney width 1200 Black (Term 4 weeks)	90334
AirSoft 1 silencer ducting Ø150	90182

Ducting pipes see page 156

Top tube extensions see page 157



Optionally you can request the brushed color.

Delivery time min. 2 weeks

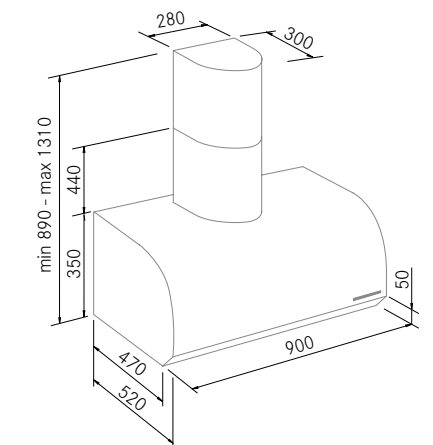
See Finish on page 136.



A++

Technical design

Outlet 150 mm.



Versions/Technical data

Dimensions (mm)	S/S filters	LED strips	Motor	Finishing	
				White	Black
900	4	1	S8	Ref. 26324	26326

Vintage finishes on request, minimum delivery time 6 weeks see page 136 - Other motors consult.



Technical information

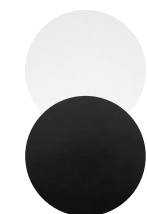
- Finishing White lacquered or Black (RAL 9003/9005).
- S8 silent motor (A+).
- Touch control.
- Deferred stop (Last time).
- Saturation filter alarm.
- LED light stripe (5W/meter - 2700K).
- Easy clean panel.
- A.C. System (balanced aspiration).
- 3 speeds + Booster.
- Rear ducting available.
- Optional recirculation.

Optional Accessories

	Ref.
Cylindric Plasma filter C1000	90371
Cylindric Plasma filter C600	90372
Carbon Filter FC-Plus	90381
AirSoft 1 silencer ducting Ø150	90182

Ducting pipes see page 156

Top tube extensions see page 157



Optionally you can request the brushed color.

Delivery time min. 2 weeks

See Finish on page 136.

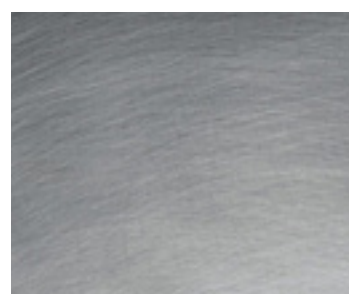


A wide range of top quality finishes

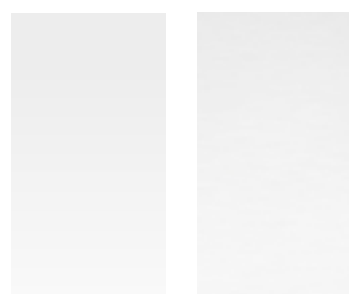
All the models in the Vintage range can be ordered in 16 different sheet metal finishes, with the total confidence of durability that our brand guarantees.



Stainless steelidable



Stainless steelidable Vintage



Matt and brushed White color



Matt and brushed Black color



Matt and brushed Aluminium color



Matt and brushed Titanium color



Matte or brushed Champagne color



Matte or brushed bronze color

NOTE: Other colors of the Ral card, check availability.

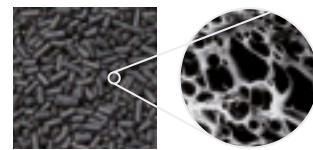
Purified kitchens

Charcoal Filters - Purified Kitchens

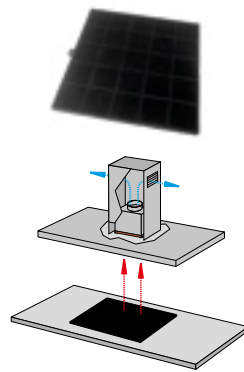
FRECAN

Carbon Filters (recirculation)

Recommended when it is impossible to have an exit to the outside of the house. Once the air is filtered by the hood filter itself, it is again filtered by the carbon filter. The filters contain micro-granules of activated carbon that, thanks to their nano-porosity, collect the odor, returning clean air to the kitchen. For a good durability of carbon filters and to avoid being clogged by particles, it is very important to keep the hood filters clean. It is advisable to change the carbon filters every year approx., Depending on the use, to guarantee a good performance.



CHARCOAL FILTERS - MOTOR BOX



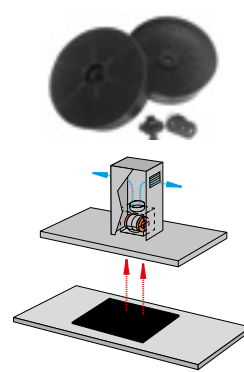
There are 3 types of carbon filters depending on the hood model:

The first is installed on the motor box, on the smoke inlet before the motor.

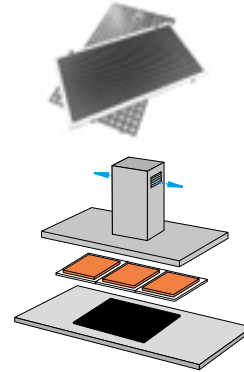
The second type consists of two filters that are placed on the air inlets of the motor itself.

And the third one is placed directly on top of the fat filters using a kit.

CHARCOAL FILTERS ATTACHED TO THE MOTOR



CHARCOAL FILTERS TWIN



Long-lasting active carbon filters FC-Plus and FC-Plus Ceiling

The FRECAN long-life filter FC-Plus has a lifespan of 3 years. Past this period, the filter can be regenerated up to a maximum of two times, expanding its further use for one more year after each regeneration.

The long-lasting FC-Plus roof filter from FRECAN has a useful life of 1.5 years. After this time, it allows its regeneration up to a maximum of two times, allowing its use for a further year after the first regeneration and half a year after the second.

The regeneration must be done by introducing the filter in the oven for 1 hour at a minimum temperature of 250°. This regeneration can also happen in pyrolysis if the oven has this option.

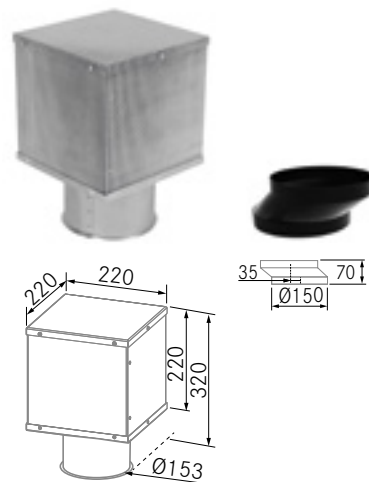
The FC-Plus filter carries up to 2.3 kg of activated mineral carbon in pellet format of 8x4mm. (1.3 Kg. in FC-Plus Ceiling) Inside the filter, the active carbon has a thickness of 20mm, being able to absorb up to 920gr of fats. On the other hand, in the FC-Plus Ceiling model the thickness is 30mm and can absorb up to 390 gr. of fat.

* Laboratory Test comparing results of a Fine 90 VF700 hood at 3rd speed using a traditional 90133 carbon filter versus a Fine 90 VF700 hood at 3rd Speed + FC-Plus. (6 decibels less with FC-Plus recirculation).



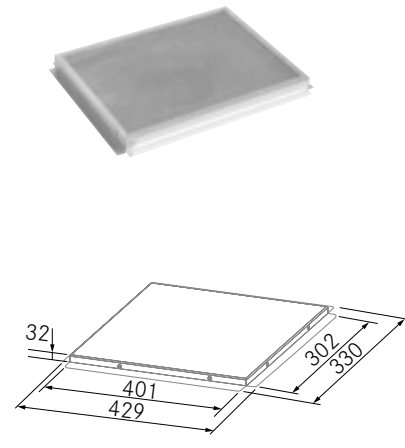
Carbon filter FC-Plus

Reference: 90381
Includes eccentric connector.



Carbon Filter FC-Plus Ceiling

Reference: 90384



Carbon Refill

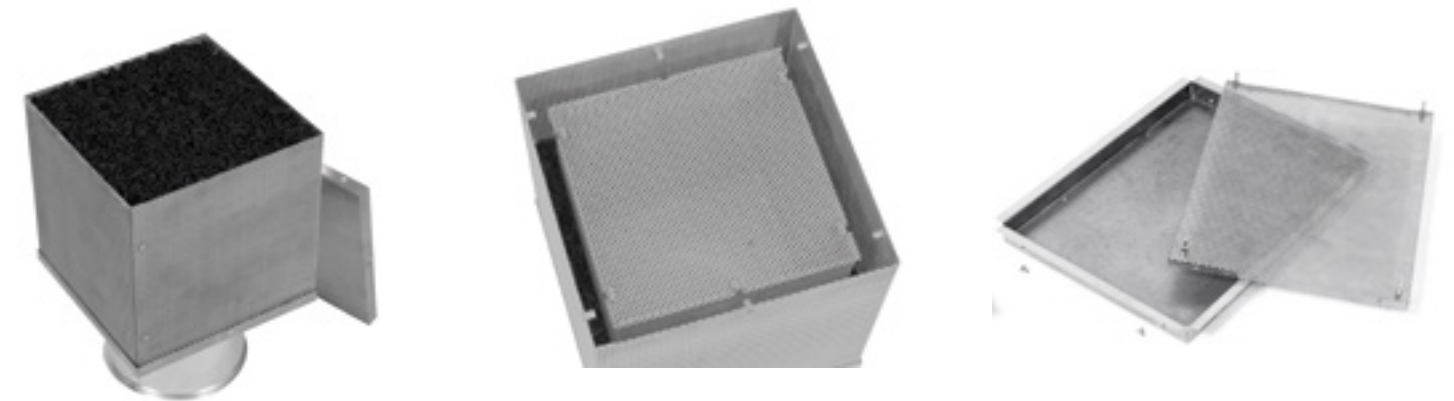


Reference	Quantity	Filter
90375	2,3 Kg	FC-Plus
90386	1,3 Kg	FC-Plus Techo

Charcoal Filters - Purified Kitchens

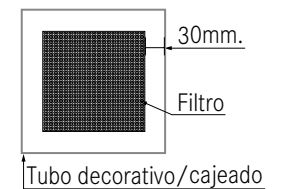
FRECAN

Long-lasting active carbon filters FC-Plus and FC-Plus Ceiling



The FC-Plus and FC Plus Ceiling filters are designed with responsibility and sustainability for the planet. The entire filter should not be replaced. The user may purchase 1.3 or 2.3kg of activated carbon pellets as a spare. Its replacement is very simple. You only have to remove the top cover, discard the carbon inside the filter and replace it with the new one and enjoy 5 years of filtering again. (3 in FC-Plus Ceiling)

Easy installation

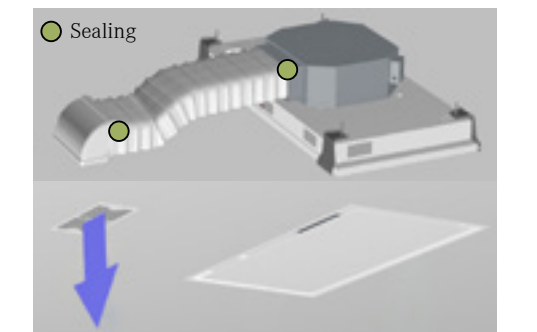


The FC-Plus carbon filter can be installed at the engine outlet or it can be installed on a delayed basis. It extracts the air around its perimeter thus reducing friction and pressure, for this reason, for a good air circulation at the outlet of the filters, it is recommended to leave a minimum of 30 mm. between the filter and the decorative tube or the casing.



The FC-Plus Ceiling carbon filter is installed very simply by means of anchors that fit into the body of the hood and allow the filter to be firmly attached to the hood, absorbing possible vibrations. This simple system allows them to be removed very easily so that they can be regenerated when necessary.

Installation example: Requires flat duct 90346 and Suspended ceiling grid 90375.



Box R - Helsa - Purified Kitchens

FRECAN

Box - R with ceramic cubes Helsa (Dissociated Recirculation)

Inspired by nature



The dissociated recirculation - Box R allocates 9 to 10 Helsa charcoal cubes creating a system that enables up to 4000 parallel flow channels, capturing grease and odours very effectively. By separating the air in multitude of channels, this system also acts like silencer reducing the noise of the air flow.

The Box R system is designed with a stainless steel grid lacquered in white RAL 9003. This grid is magnetized, allowing a flush-mounted installation. With the Box R, it is provided a handle to remove the grid and access the Helsa cubes.

- Low noise generation.
- Excellent odour reduction.
- Easy operating, easy to clean, low maintenance cost.
- The energy efficiency correlates with the demands of modern living conditions (including passive or low energy homes).

The biggest advantage of a charcoal cubes is the relation between filtering capacity, efficiency and little pressure drop. The final result is a high performance filter with low energy consumption, low noise, high lifetime, etc.

Oven regeneration: Between 150-180°C for roughly 1 - 2 hours.

Filter durability: With each regeneration a small memory effect is detected. A maximum of 8-10 regeneration cycles is recommended. Afterwards a loss in the performance of the carbon cubes will be perceived. It is recommended to regenerate once a year depending on the use of the hood.

Composition of the material:

Composite of activated carbon reinforced with ceramic.

Filtration performance for molecular contaminations like ...

- Volatile organic compounds (VOC).
- Smells.
- Ozone.
- Base and acid gases, etc ...

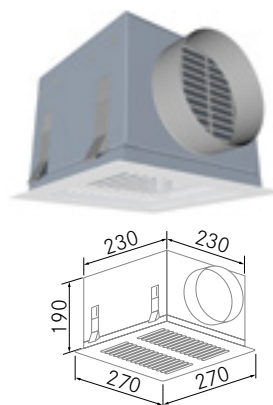
Special features:

- High cleaning performance.
- Long life capacity without maintenance.
- Low pressure drop / Low power consumption.
- Low noise levels while operational.
- Homogeneous air flow.
- Without adhesive.

The honeycomb moulds of fine cells are produced by extruding a formula containing activated carbon and minerals. Cellularity, length and selection of activated carbon gives birth to customized filters offering maximum result.

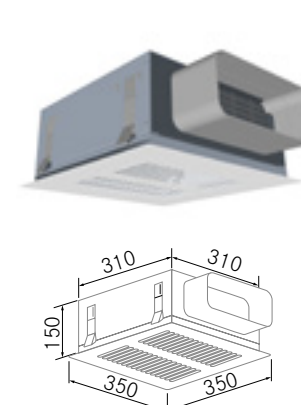
Box-R Round Duct (H1)

Reference: 90268
Lacquered White Ral 9003
9 Helsa cubes 3600 parallel flow channels
Cut Out dimensions: 245 x 245 mm
Suspended ceiling 200 mm.



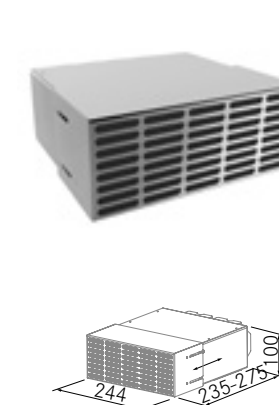
Box-R Flat Duct (H2)

Reference: 90269
Lacquered White Ral 9003
10 Helsa cubes 4000 parallel flow channels
Cut Out dimensions: 325 x 325 mm
Suspended ceiling 160 mm.



Box-R Socle (H3)

Reference: 90267
Stainless steel
10 Helsa cubes 4000 parallel flow channels



Helsa cube (spare)

Reference: 90354
Active carbon ceramic
400 parallel flow channels

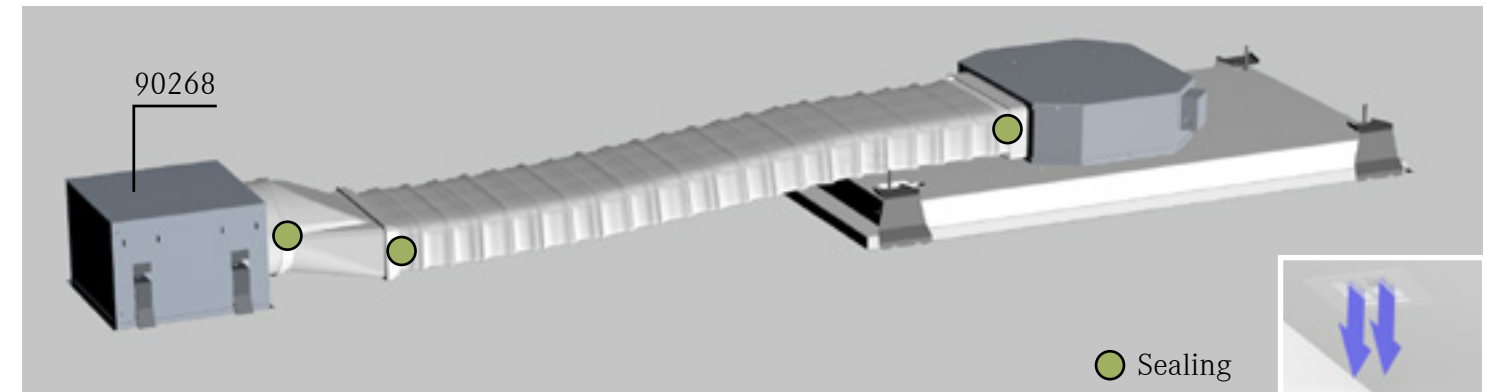


The installation of the Box R has to be accessible in order to allow the extraction of the charcoal cubes for maintenance and cleaning purposes.

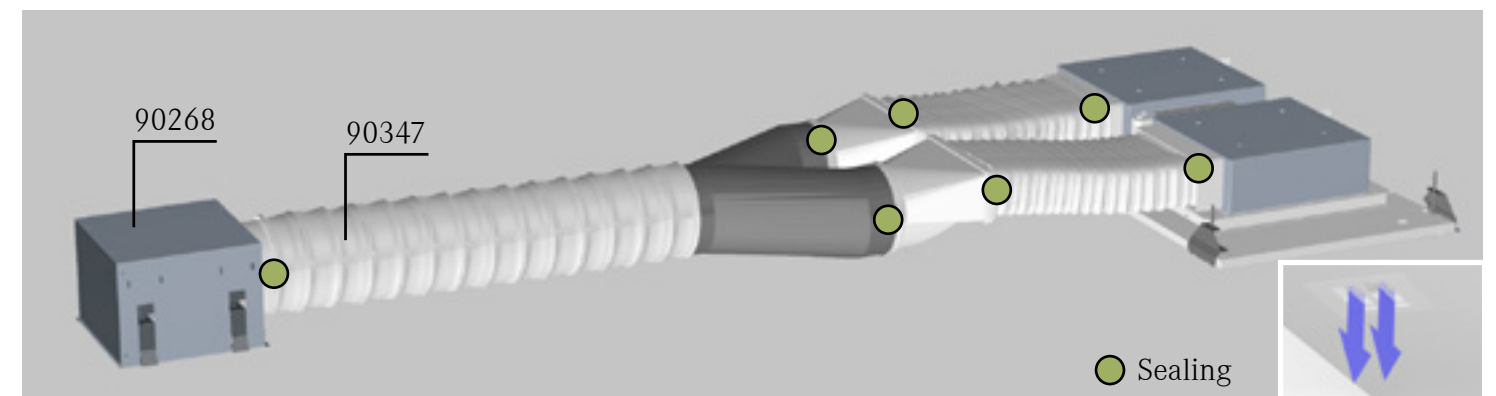
Box R - Helsa - Purified Kitchens

FRECAN

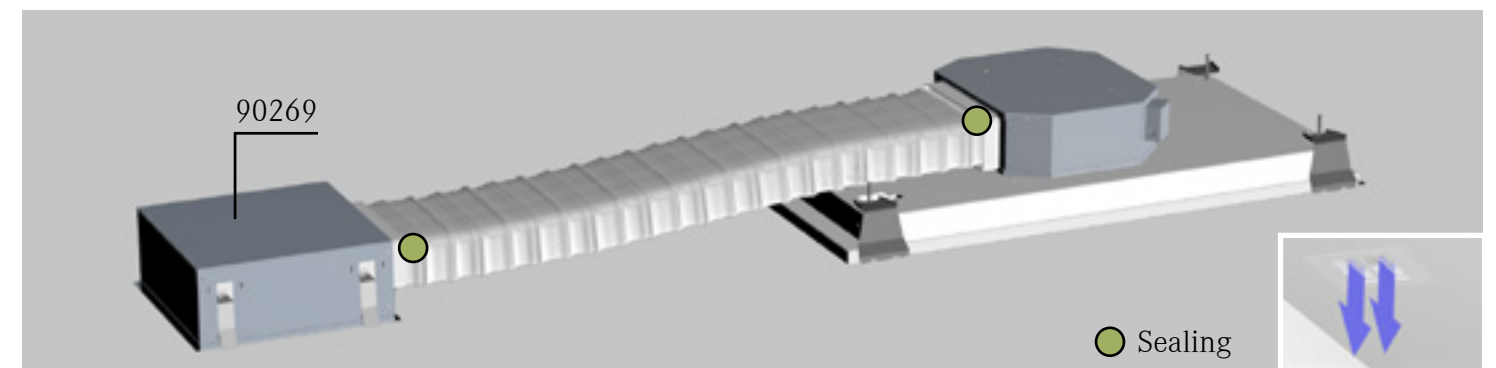
Example of installation of the H1 Filter system with 360° ceiling hoods



Installation example of the H1 Filter system with 2-motor roof hoods



Example of installation of the H2 Filter system with 360° ceiling hoods



Recommendations: For optimal operation, it is advisable to move the filter as far away as possible without exceeding 3m.

Example of installation of the H3 Filter system with 1 and 2 motor surface hoods.



The definitive air recirculation system is a plasma filter of FRECAN that eliminates unpleasant odors, smokes, grease, pollen, viruses, bacteria and allergens at home avoiding energy loss.



Easy installation:

Plasma Frecan filters have been developed to be installed in any type of hood.

Placing and installing the plasma filters is very easy. In the case of the two cylindrical filters C1000 & C600, the plasma filter should be placed on the hood motor outlet. In the case of the flat filters F800 or the C600 Box, they can be installed inline using pipes in a maximum distance of 3 meters from the hood.

- Fast and easy installation (plug and play).
- It can be adapted to existing extractor hoods.
- Light weight and compact dimensions.
- It allows both horizontal and vertical installation.

* The lifetime of the filters may vary depending on the type of cooking and the proper use of the filter.

15
YEARS
LIFETIME*

5
YEARS
WARRANTY

100
%
SELF-CLEANING

14
%
NOISE
REDUCTION



Zero barriers

In addition to the many advantages of the Plasma FRECAN filter, it also allows all kind of possibilities for your kitchen planning. The discharge piping will no longer be a limiting factor for your design plans. You will now have complete freedom to do what you always wanted.



Energy saving

The FRECAN Plasma filter is an energy saving solution. As it is an air recirculation system, it does not expel air to the outside, thus both heating and air conditioning won't be wasted to the exterior. On top of this, the Frecan Plasma filter has a stand-by consumption of only 0.5 watts and an annual consumption of only 3,5 Kw.



Self-cleaning

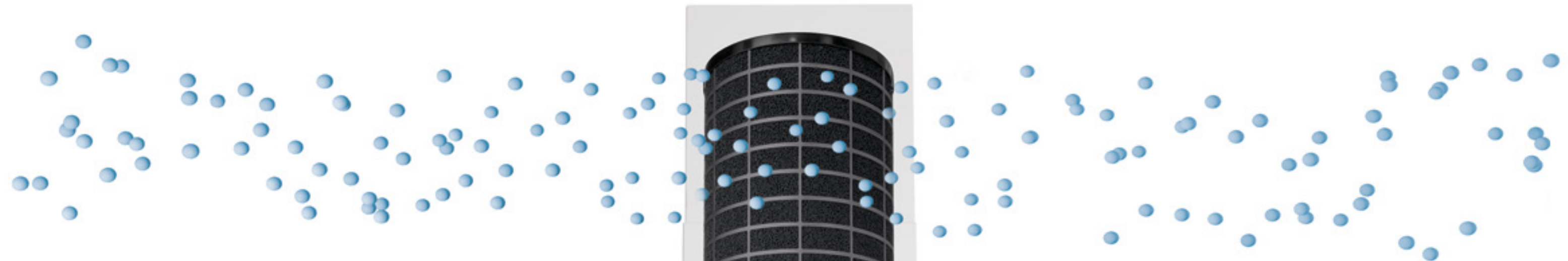
The Plasma filter is regenerated automatically, so it does not require any maintenance or replacement whatsoever unlike the traditional carbon filters. This is a long-term cost saving, as well as a guaranteed circular economy responsible with the environment.



14% noise reduction*

Thanks to its conception, the FRECAN Plasma filter acts as a silencer, reducing noise up to 14%. Likewise, its installation system simplifies the ducting, reducing the noise generated by the air friction, especially in those long and intricate pipes.

96% destruction of odors, smoke, allergens and polluting substances.



Negative ionization

Elements such as the sea, springs or waterfalls are a great source of negative ionization. The FRECAN Plasma filter also generates negative oxygen ions, providing a refreshing effect that improves concentration of both soul and body. It contributes to an easy relaxation, eliminate stress and anxiety, helps improve the memory, clear the mind and facilitates digestive and respiratory processes among many other benefits. The negative ions reduce the tenor of the stress hormone.

With the FRECAN Plasma filter, unpleasant odors from cooking, tobacco smoke or the smell of animals become a matter of the past. FRECAN Plasma technology decomposes the odor particles immediately ensuring that the kitchen stays fresh.

Anti-bacteria

In spaces where people live, such as living rooms, bedrooms, offices and waiting rooms, the air contains all kinds of harmful substances such as bacteria, mold and viruses. The recirculation of air with the FRECAN Plasma filter separates and oxidizes germs and odors at the molecular level, producing oxygen, low humidity and CO2. It simply generates pure air.

Anti-allergens

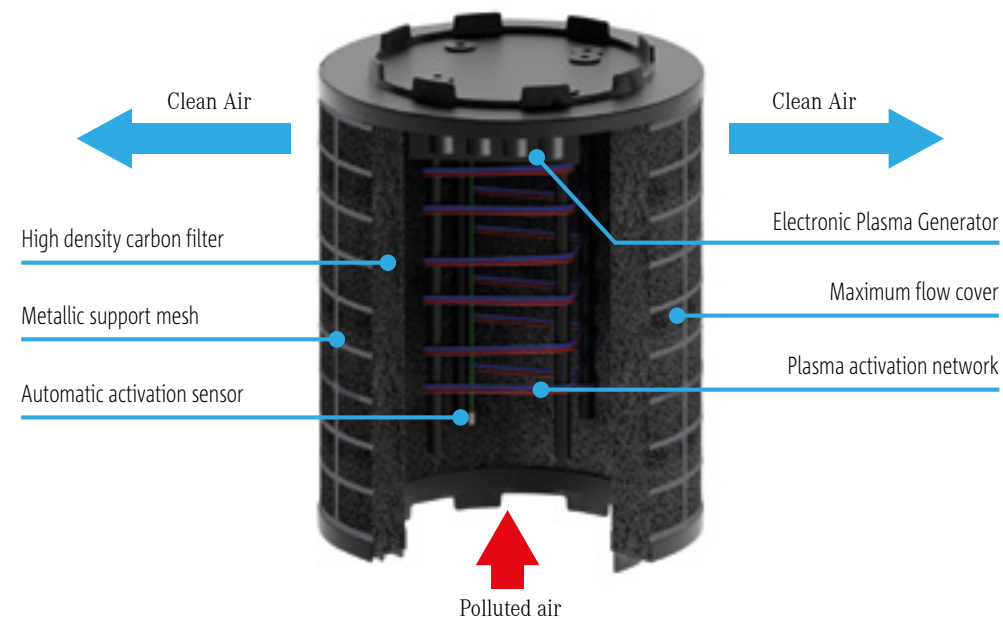
Although invisible to the naked eye, all spaces contain pollen, dust and other allergens. These allergens are not particularly harmful to humans, except when you have an allergy to them. The Plasma Frecan filter ensures the elimination of these substances from the air (dust mites, pollen, dandruff or animal hair).

The technology

Smoke from cooking is pre-filtered by the hood grease filters, which retains grease and other types of heavy air pollutants. The air flow is then introduced into the FRECAN Plasma filter and is detected by a sensor that automatically activates or deactivates the filter. This flow of air polluted by fats, pollen, odors, bacteria, is filtered through the technology of plasma and activated carbon and is converted by a natural reaction into clean air and CO2. The clean and air (recirculated) is reintroduced back into the kitchen.



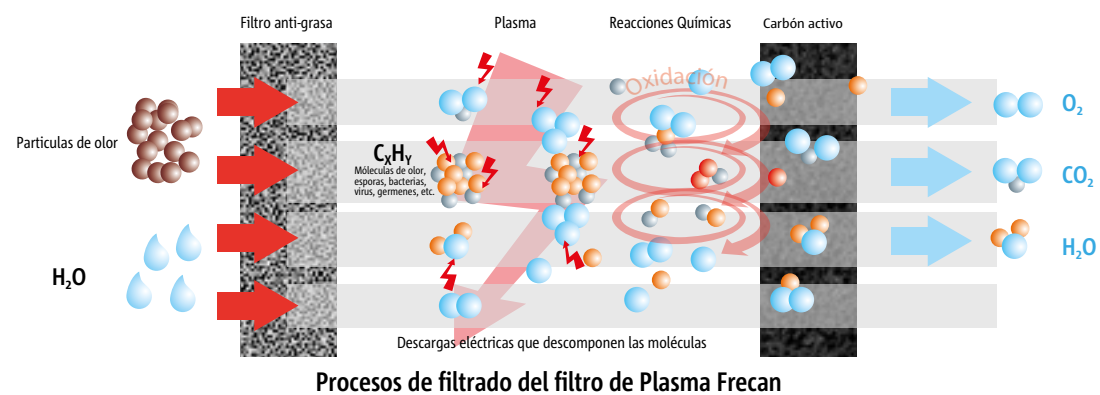
Plasma is an electrical process



Our plasma filters host an electronic CPU inside the power supply that generates a high voltage field with very little energy. It is an electric, safe and controlled process that also reduces the cost of electricity by its level of consumption (3.5 Kw per year), as well as to avoid the loss of energy compared to a hood with external discharge.

The air is filtered through the anti-grease filter in which fats and other heavy contaminants adhere. From there the motor of the hood pushes them towards the plasma filter, which detects the air flow and activates automatically. It starts then producing a series of plasma discharges depending on the detected air flow. These plasma discharges modify the particles at the molecular level generating a chemical reaction that literally decomposes the odor molecules, pollen and other contaminants; and eliminates them. In addition, the high content of active carbon retains and ensures the absolute elimination of any particle, transforming it into oxygen, CO2 and a small part of moisture.

The plasma generates this chemical reaction while the hood is in continuous operation. Thus, the pores of the active carbon filter remain always clean and free of polluting materials, allowing the use of the filter for much longer without any maintenance whatsoever.



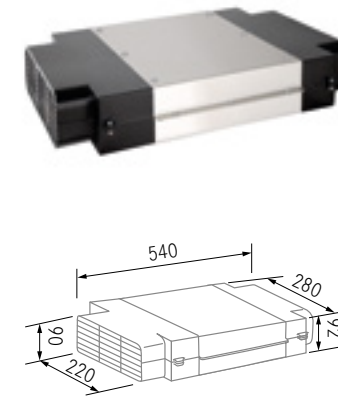
A Safe process / A safe filter for health

The ozone concentration on the outside of the plasma reaction device is zero. The electrodes have a very long LIFETIME and are almost indestructible in operation for which they are intended for domestic kitchen hoods. The carbon filter in the final stage is regenerated in each process. All of our plasma filters are VDE, IUTA approved for zero ozone emissions and have been tested for odor control (olfasense test).



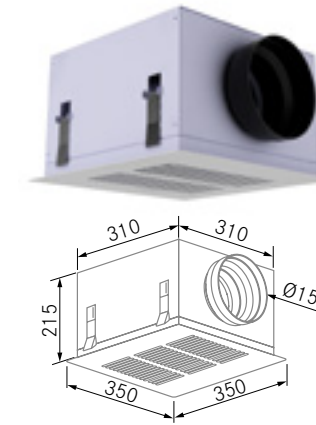
Plasma Flat 800m³/h

Reference: 90373
Maximum 800 m³/h
Dissociable maximum 3 meters.



Plasma 600m³/h + Cajón

Reference: 90374
Maximum 600 m³/h
Cut Out dimensions: 320 x 320 mm
White grid
Dissociable maximum 3 meters.



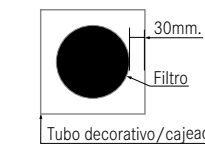
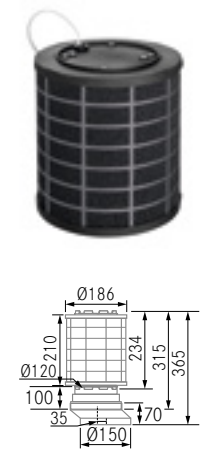
Cylindrical plasma 1000m³/h

Reference: 90371
Maximum 1000 m³/h



Cylindrical plasma 600m³/h

Reference: 90372
Maximum 600 m³/h



The Cylindrical Plasma filters extract air around its perimeter reducing friction and pressure. Thus, it is recommended to leave a minimum of 30 mm between the filter and the decorative chimney to guarantee a good air circulation all around the plasma filters.

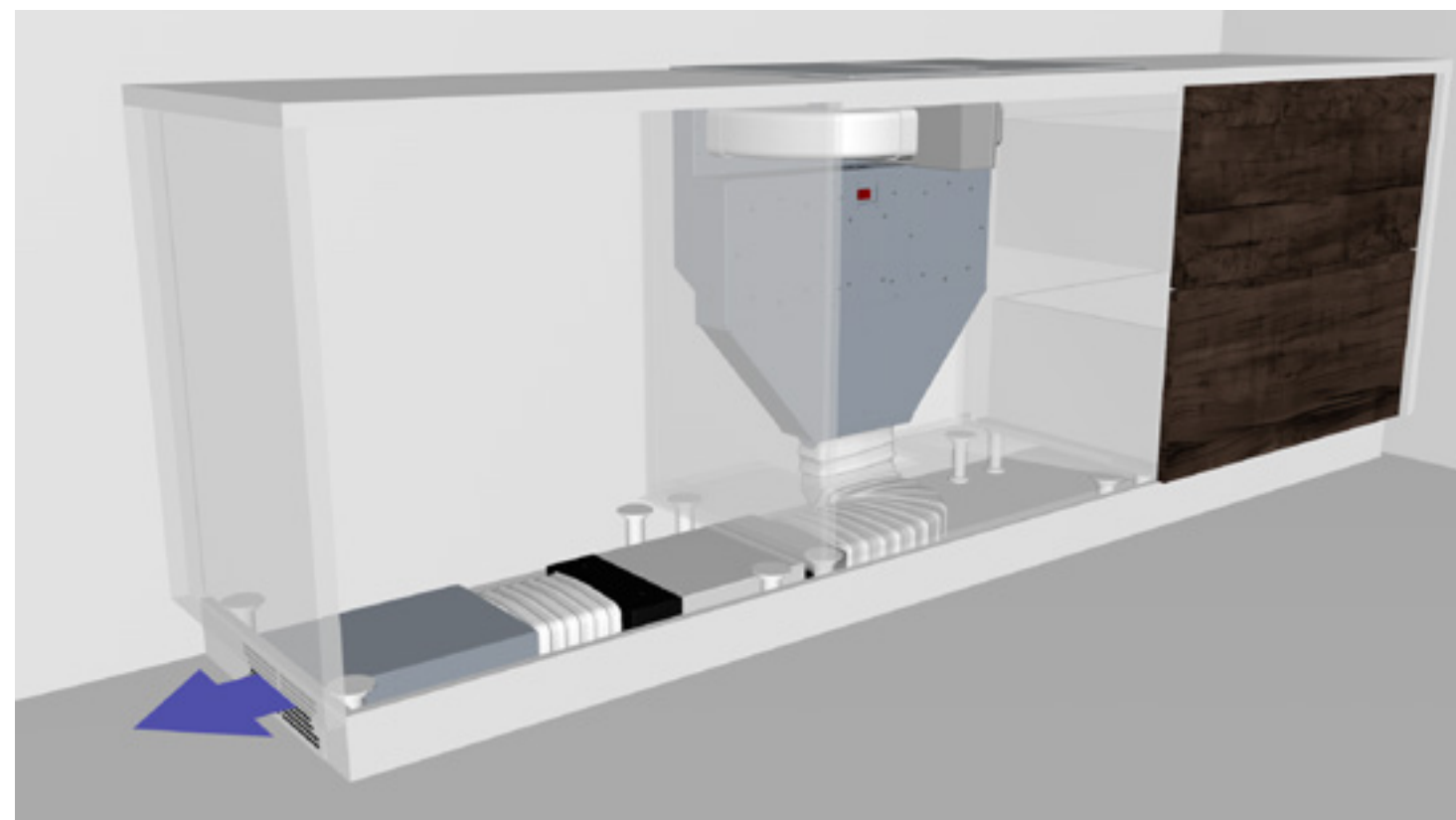
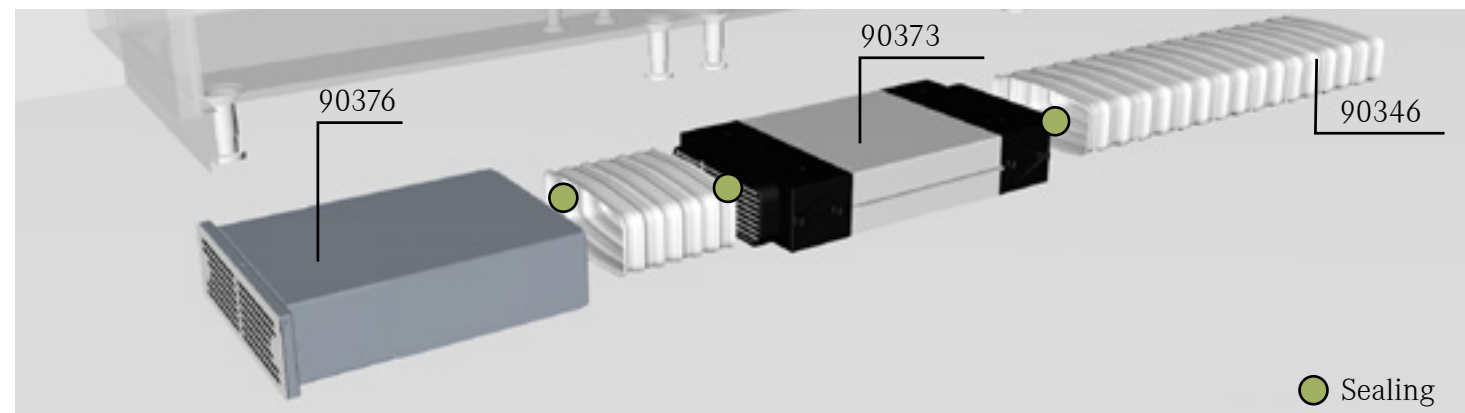
NOTE: In Mercury, Fine, Qfine, White, Black, Impress and Stream models, for the installation of the cylindrical plasma filter 1000m³ / h (90371) the use of accessory 90198 is necessary.

Accessories for installation of Plasma filters

Grid for suspended ceiling	Reference: 90375 White grid
Flexible flat ducting 3 m.	Reference: 90346 White
Connector adapter iTube to Optiflow	Reference: 90348 White
Fire resistant tape (10 meters)	Reference: 90349 White

Grid for plinth	Reference: 90376 Diffuser drawer with stainless steel grid.
Flexible ducting 1 m. Ø150 PVC	Reference: 90347 White
90° Vertical bend ducting Ø150	Reference: 90340 White
Round ducting connector Ø150	Reference: 90198 White

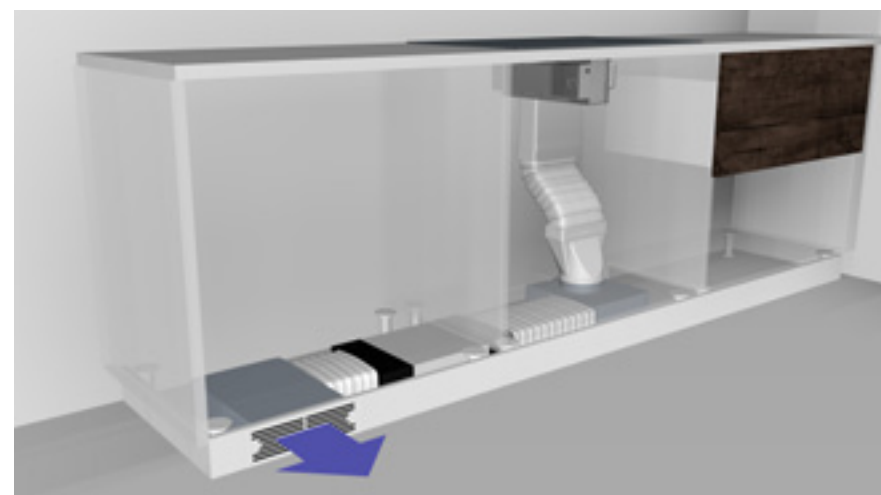
Installation example of the plasma system F800 + drawer grid to baseboard



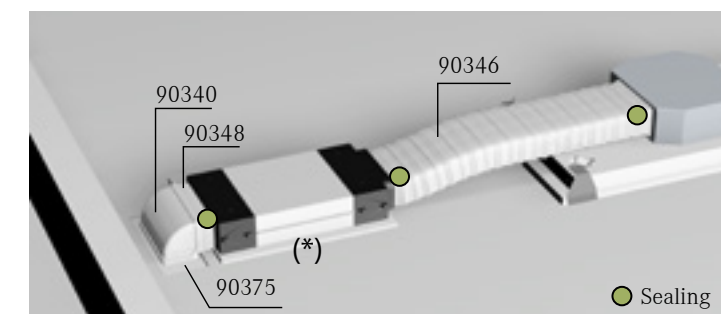
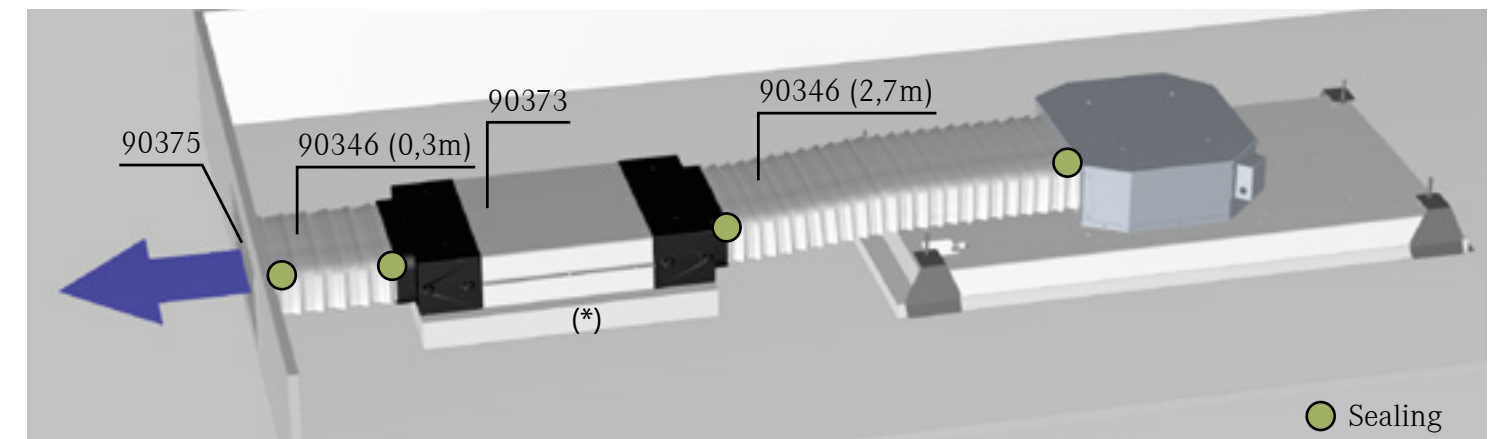
Recommendations: For an optimal operation, it is advisable to place the filter as far as possible from the hood, without exceeding 3m.

Place the grid in an area away from people's working area to avoid bothering people with recirculated air on their feet.

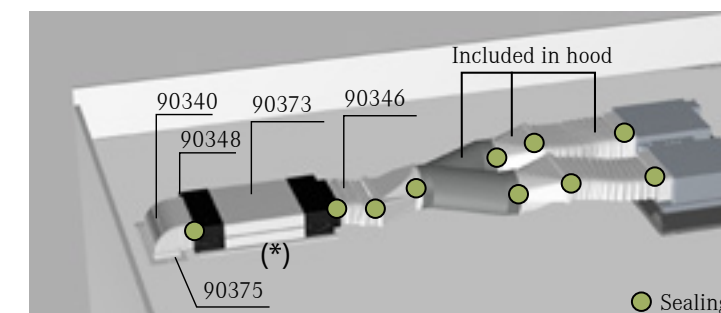
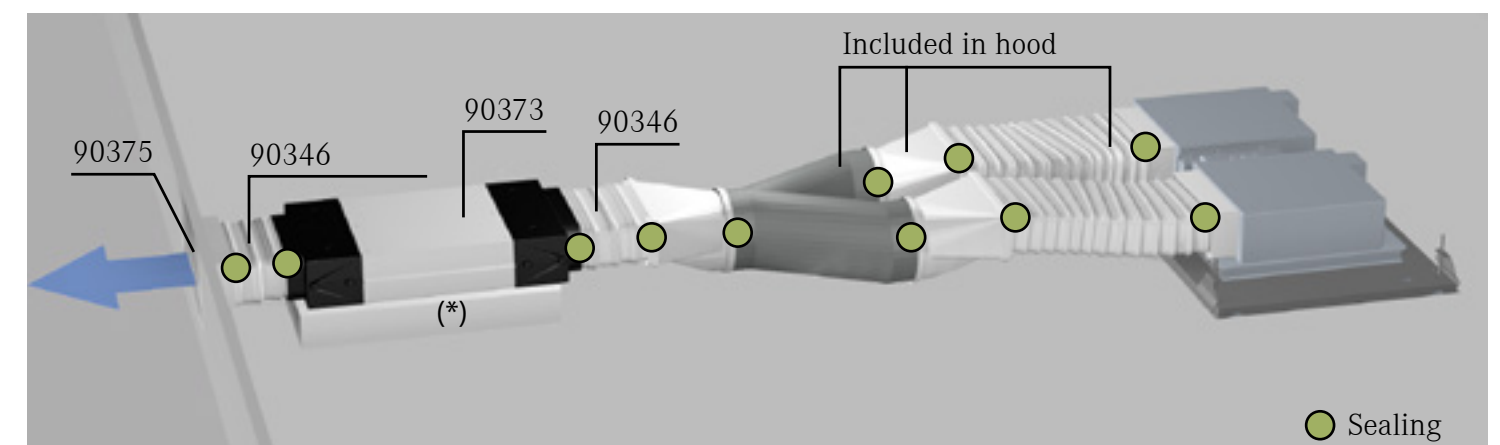
The skirting grid is designed to channel in a straight line or at a 90° angle to adapt to any need.



Installation example of the plasma system F800 + Ceiling grille with 360° ceiling hoods



Installation example of the plasma system F800 + Ceiling grille with 2 motor ceiling hoods

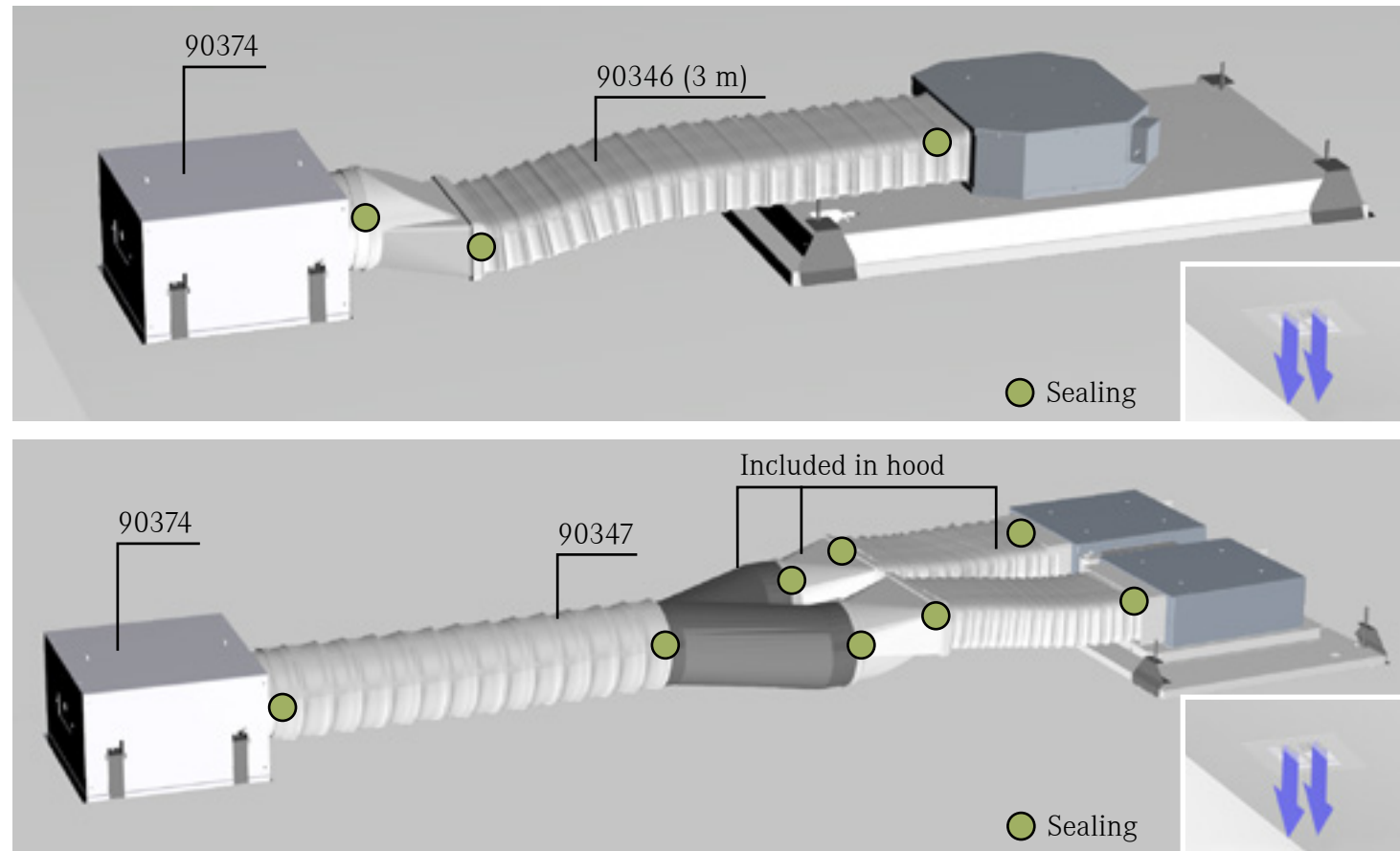


* Depending on the thickness of the suspended ceiling and the location of the grid, it might be necessary to use the F800 filter.

Te use of a soft material that absorbs possible vibrations is recommended.

IMPORTANT: It is necessary to leave a hatch on the ceiling to access the filter and to avoid having to dismantle the hood in case of servicing.

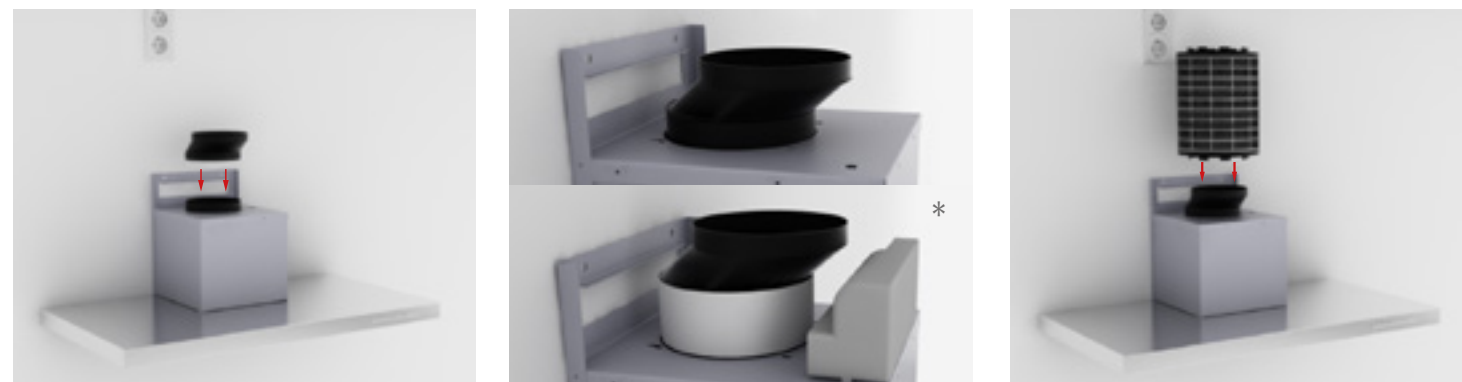
Installation example of the plasma system F600 + Ceiling box



General recommendations: For an optimal operation, it is advisable to place the filter as far as possible from the hood, without exceeding 3m. Thus, the air extracted by the hood reaches the filter at a lower speed increasing the filtration ratio considerably. For this same reason, it is recommended to use low extraction speeds when having a recirculation system: the more time the air stays inside the filter, the higher will be the filtering and purification ratio.

In recirculation systems, more suction power does not imply greater air cleaning or purification, but on the contrary, it implies speeding up the number of cycles / renewals inefficiently. The intentional use of low speeds will ensure the best filtering standards. Operating at a second speed (on average 350-400m³/h) will bring the best results.

Installation example of the plasma system C-600 and C1000 for built-in, wall and island hoods.



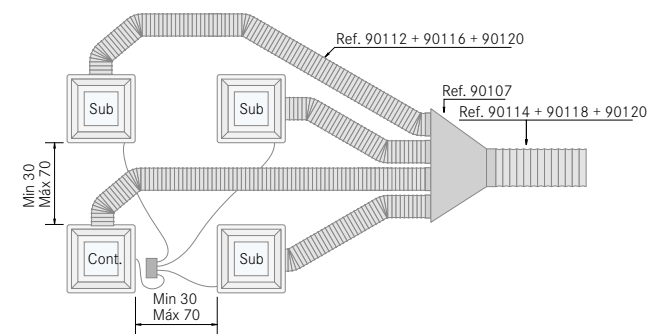
Recommendations: In wall and island hoods aside from making sure that the upper tubes have the corresponding air grill, it is recommended to leave a small space between the ceiling and the decorative tube to facilitate correct air circulation. In built-in hoods, special attention to the dimension of the cabinet casing, min 30 mm. per side so that the plasma can expel the filtered air. The furniture cannot reach the ceiling, and if the furniture is closed to the ceiling, a grill must be placed.

IMPORTANT: Do not install non-return valves at the motor outlet. If these are included in the motor, they must be disassembled and removed before placing the Plasma filter.

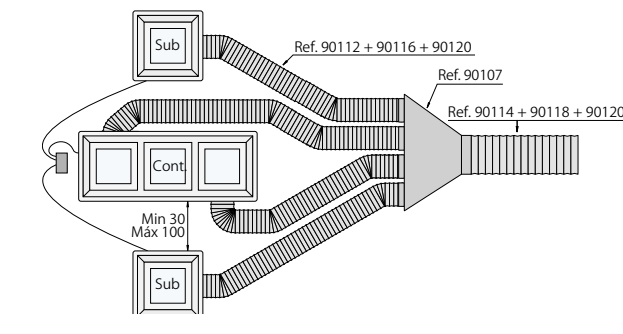
*On Mercury, Fine, Qfine, White, Black, Impress & Stream models, for the installation of the cylindrical plasma filter 1000m³/h (90371) the use of accessory 90198 is necessary.

Information, Accessories and Complements

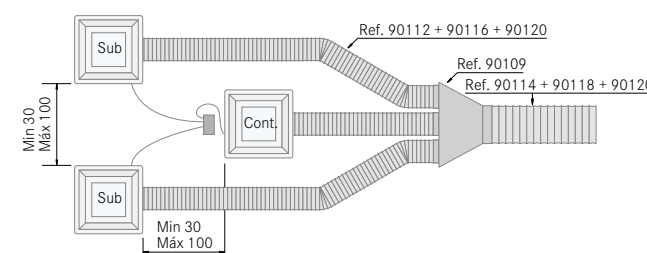
Installation example set of 4 modules.



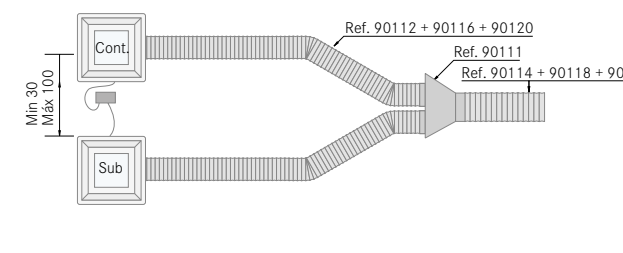
Installation example set of 3 modules.



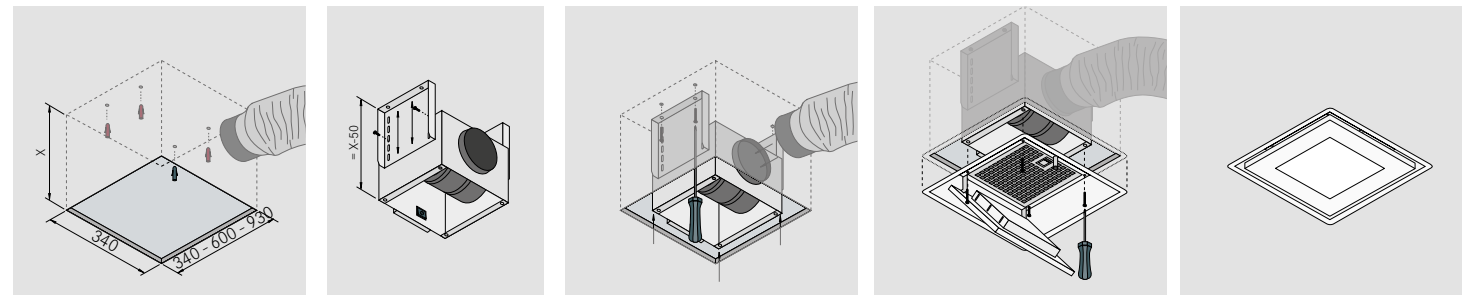
Installation example set of 3 modules.



Installation example set of 2 modules.



Very easy installation by fixing to the slab from the cut-out on the suspended ceiling.



With the ducting ready to mount the Suspended ceiling, open the cut-out and with the template mark and place the 4 fixing plugs.

Take the height between the suspended ceiling and the ceiling, subtract 50 mm. and regulate the modular.

Insert the modular in the cut-out, move it to connect the tube and once connected, fix it to the fixing plugs.

Connect the cable from the cover to the connection box and fix the cover with the screws. It must be attached to the motor body.

Close the cover and the modular is installed simply and quickly, allowing easy access for maintenance.

Nozzle 4 x 120	Reference
	90107

Nozzle 3 x 120	Reference
	90109

Nozzle 2 x 120	Reference
	90111

AIRSOFT Soundproofing duct	Sizes	Reference
	Ø120 x 10m.	90302
	Ø150 x 10m.	90303
	Ø200 x 10m.	90304
Box of 10 meters of soundproofing ductings.		

Coupling	Sizes	Reference
	Ø120	90116
	Ø150	90117
	Ø200	90118
	Ø200	90119
To place on the ends of the soundproofing tubes using adhesive aluminium tape.		

Aluminium adhesive tape	Sizes	Reference
	Ø120 x 10m.	90120
To place on the ends of the soundproofing tubes using adhesive aluminium tape.		

Nozzle 4 x 120	Reference
	90107

Nozzle 3 x 120	Reference
	90109

Nozzle 2 x 120	Reference
	90111

Flat multi-nozzle for Flow	Reference
	90270
Flat multi-nozzle for Flow 1, 2 and 3 models. It is only compatible with the IT pipeline range.	

AIRSOFT 1/2 Soundproofing duct	Sizes	Reference
	Ø150 x 800mm	90182
	Ø120 x 800mm	90229
	Flat Airsoft2	90310

Soundproof tubes ready for installation. Flat Duct Airsoft is only compatible with the IT ductwork range.

AIRSOFT Soundproofing duct	Sizes	Reference
	Ø120 x 10m.	90302
	Ø150 x 10m.	90303
	Ø200 x 10m.	90304
Box of 10 meters of soundproofing ductings.		

Aluminium adhesive tape	Sizes	Reference
	Ø120 x 10m.	90120
To place on the ends of the soundproofing tubes using adhesive aluminium tape.		

Coupling	Sizes	Reference
	Ø120	90116
	Ø150	90117
	Ø200	90118
	Ø250	90119
To place on the ends of the soundproofing tubes using adhesive aluminium tape.		

Rounded soundproofing box	Sizes	Reference
	Ø220 x 585	90266
Extremely robust design thanks to the use of thick Aluminium tube. - Glass wool insert of 25 mm / 16 kg per m ³ . Ø150 connection. It can reduce the noise by up to 22 dB (A) depending on the frequency. DIN 4102 / A1		

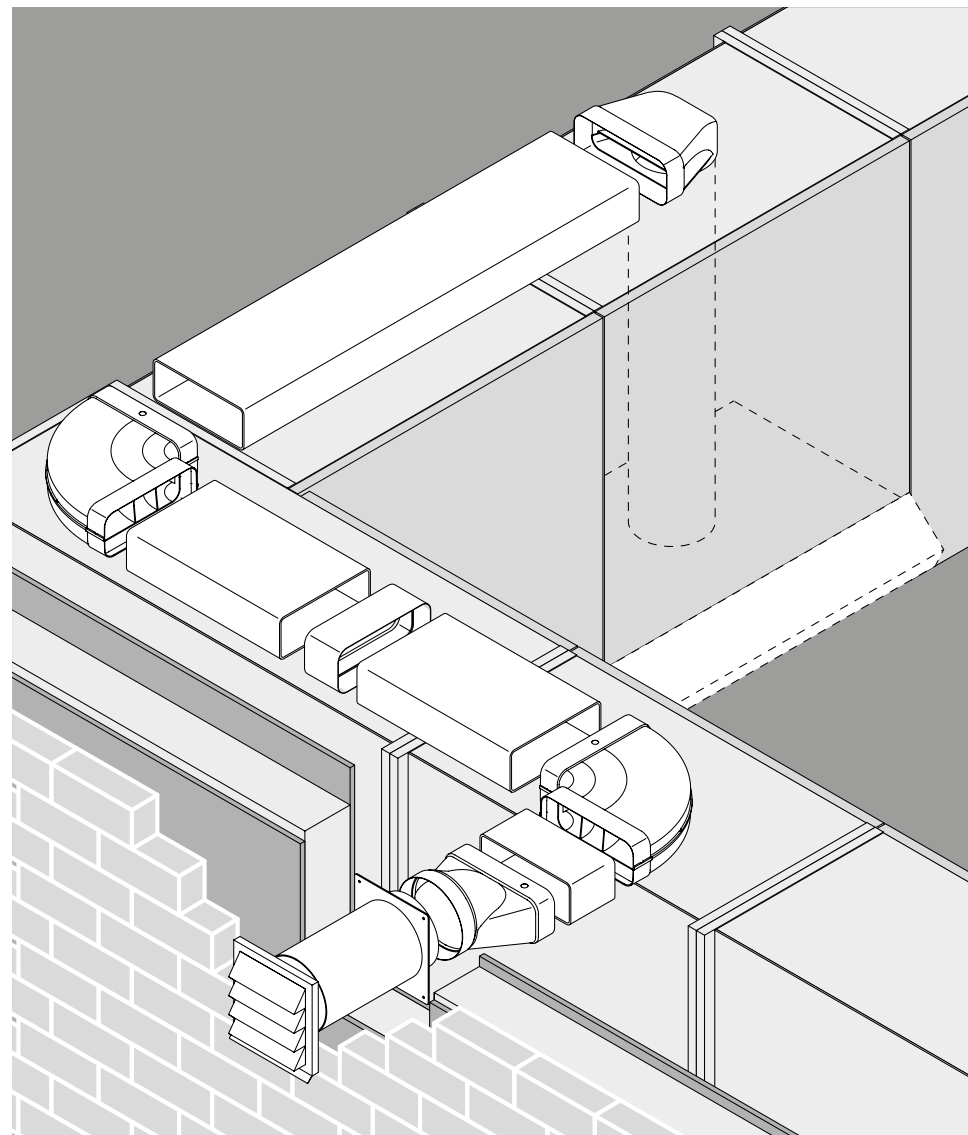
Support Braces / clamps	Sizes	Reference
	Ø120	90121
	Ø150	90122
	Ø200	90123
	Ø250	90124

Output adapters	Sizes	Reference
	Ø150 ⇄ Ø120	90125
	Ø200 ⇄ Ø150	90126
	Ø250 ⇄ Ø150	90127
	Ø250 ⇄ Ø200	90128

No return valves	Sizes	Reference
	Ø150	90203
Internal motor 1100GP & S8 exclusive use.		

Optiflow ducts - Accesories

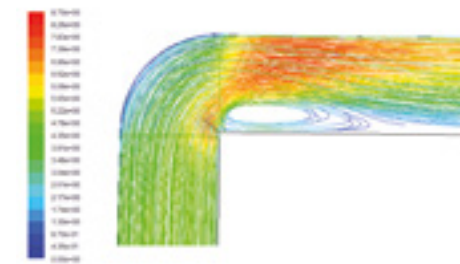
FRECAN



Air speed with OPTIFLOW



Air velocity without OPTIFLOW




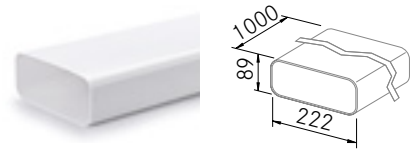

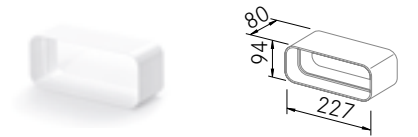
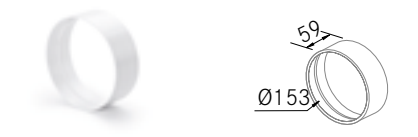
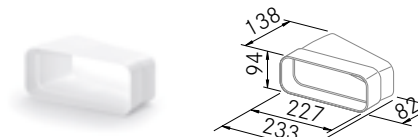
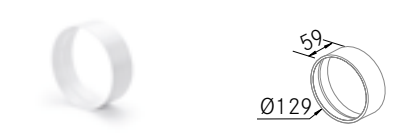
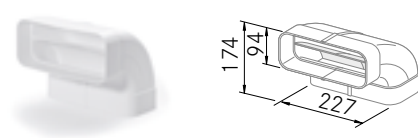

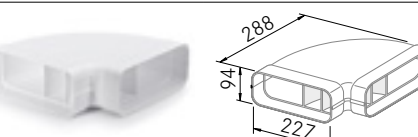
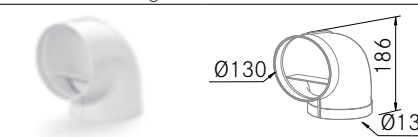
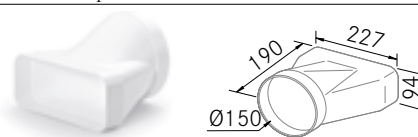
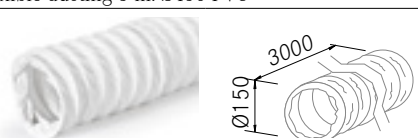
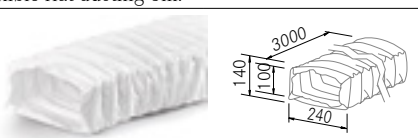
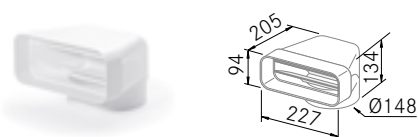
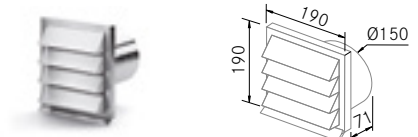

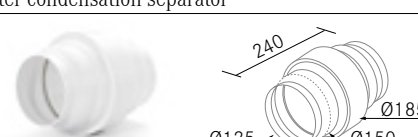
Thanks to their angular impulse design, OPTIFLOW-COMPAIR® ducts allow air to flow through the ducts without generating eddies that hinder the correct flow of air.

With this channeling system the pressure loss in Ø150mm ducts. it is reduced by up to 79% compared to common. Ø150mm ducts.



Optiflow ducts - Accesories

FRECAN

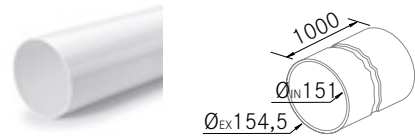
Round Ducting 1m. Ø150 	Reference 90197 White	Flat Ducting 1 meter 	Reference 90189 White
Round Ducting 1 m. Ø125 	Reference 90261 White	Flat ducting connector 	Reference 90190 White
Round ducting connector Ø150 	Reference 90198 White	Flat horizontal bend ducting 15° 	Reference 90192 White
Round ducting connector Ø125 	Reference 90262 White	Vertical 90° elbow flat 	Reference 90193 White
Vertical bend ducting Ø150 	Reference 90199 White	Horizontal 90° elbow flat 	Reference 90191 White
Vertical bend ducting Ø125 	Reference 90263 White	Flat round adapter 	Reference 90195 White
Flexible ducting 3 m. Ø150 PVC 	Reference 90264 White	Flexible flat ducting 3m. 	Reference 90224 White
90° flat round adapter 	Reference 90194 White	Exterior exit deflector Ø 150 	Reference 90187 Stainless steel/idable 90188 White
Wall connector 	Reference 90196 White	Water condensation separator 	Reference 90265 It prevents the return of water to the hood caused by condensation in cases of a vertical conduit installation.

Optiflow ducts not compatible with accessories included in the FRECAN Ceiling range - See IT accessories (page 150)

Conductos IT - Accesories

FRECAN

Round Ducting 1 m. Ø150 Reference



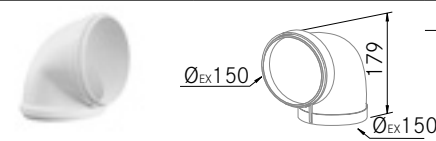
90343
White

Round ducting connector Ø150 Reference



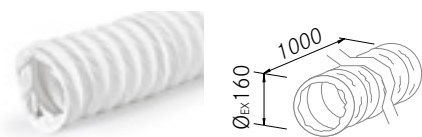
90344
White

Vertical bend ducting Ø150 Reference



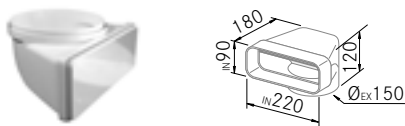
90345
White

Flexible ducting 1 m. Ø150 PVC Reference Units



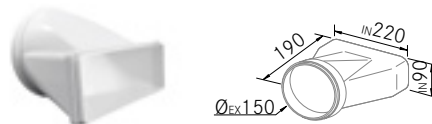
90347 1
90357 5
White

Angle adapter (Round-flat) 90° Reference



90341
White

Adapter (Round-flat) 90° Reference



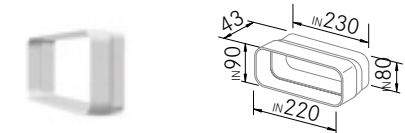
90342
White

Flat non-return valve Reference



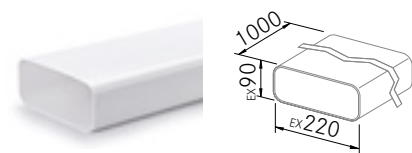
90383
White

IT to Optiflow adapter Reference



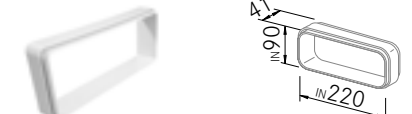
90348
White

Flat Ducting 1 m. Reference



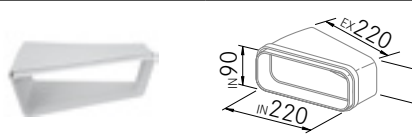
90336
White

Flat ducting connector Reference



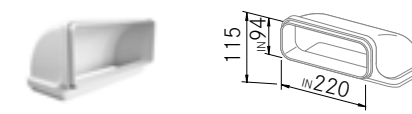
90337
White

Flat horizontal bend ducting 15° Reference



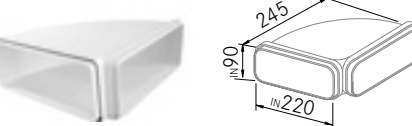
90339
White

90° vertical flat bend ducting Reference



90340
White

90° horizontal flat bend ducting Reference



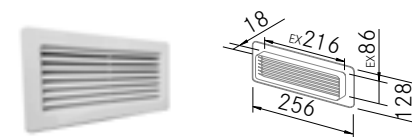
90338
White

Flexible flat ducting 3 m. Reference Units



90346 1
90356 5
White

Flat duct grill Reference



90382
White

Fire resistant tape (10 m.) Reference



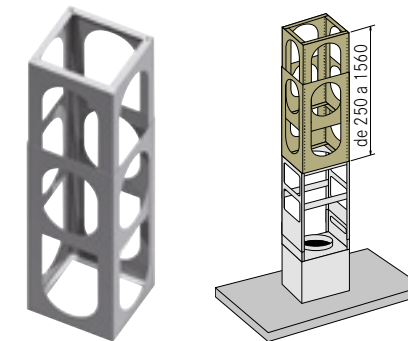
90349
White

Complements - Accesories

FRECAN

Metallic structure extensions

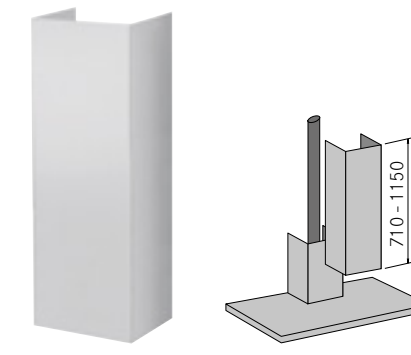
For the installation of island hoods in kitchens with high ceilings, it is necessary to install metal frame extensions to support the hood.



Size	Reference
From 250 to 430	90145
From 440 to 810	90146
From 820 to 1560	90147

Custom made chimneys for Wall hoods.

To cover any ducting of wall hoods, FRECAN provides custom made decorative upper chimneys to fit any size.

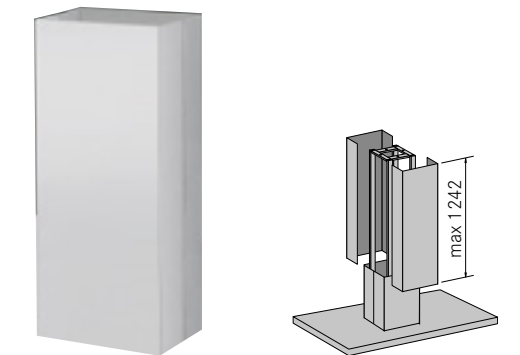


Size	Sizes	Finishing	Reference
Fixed 710	300 x 300	S/S	90141
Fixed 1150	300 x 300	S/S	90142
Fixed 710	300 x 280	S/S	90288
Fixed 1150	300 x 280	S/S	90289
Fixed 710	300 x 300	White	90392
Fixed 1150	300 x 300	White	90393
Fixed 710	300 x 280	Black	90396
Fixed 1150	300 x 280	Black	90397

Delivery time 4 weeks - Custom Made, consult.

Custom made chimneys for island hoods.

To cover any ducting of island hoods, FRECAN provides custom made decorative upper chimneys to fit any size.



Size	Finishing	Reference
Up to 1000	S/S	90143
From 1001 to 1242	S/S	90144
Up to 1000	White	90394
From 1001 to 1242	White	90395
Up to 1000	Black	90398
From 1001 to 1242	Black	90399

Delivery time 4 weeks - Custom Made, consult.

High Class filters

High Class filters consist of 7 aluminium filter sheets plus a decorative casing with front & rear in stainless steel. (7 + 2). This filters are designed to retain more fat without reducing the hood's suction capacity.



Description	Reference
Wall of 70 and 80 cm.	90215
Wall and island of 90 cm.	90216
Wall and island of 120 cm.	90217
Wall of 100 cm.	90218

Stainless Steel Cleaner and recovery

Stainless Steel Cleaner & Restorer to restore the steel surface back to its optime its optime appearance after scratching & obscuration produced by use.



Description	Reference
Cleaner 1 Units	90211
Cleaner box 12 Units	90212
Restorer 1 Und.	90213
Restorer box 12 Units	90214

Wall control panel

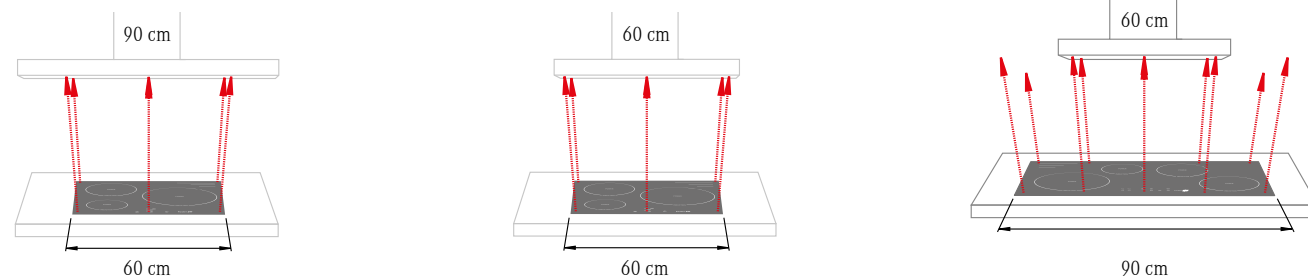
FRECAN R1000 motors have the option of being Com-manded from a convenient built-in remote control allowing operation without the use of remote control.



Description	Reference
Built-in touch control panel	90400

Dimensions

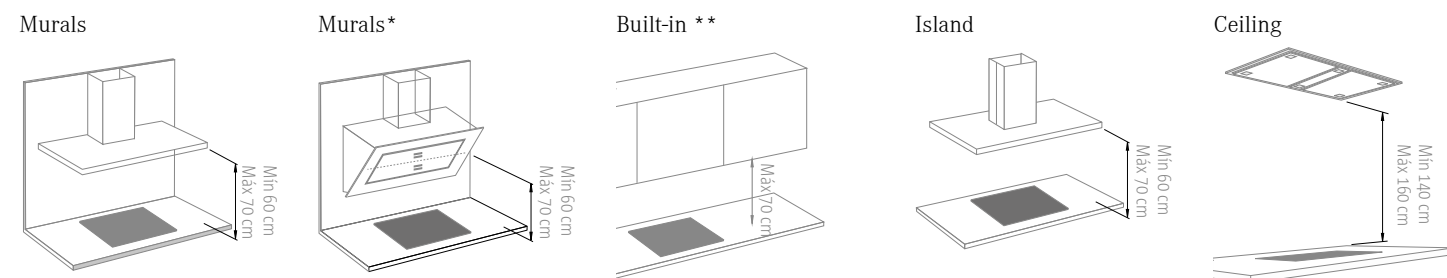
La elección de un tamaño adecuado de campana en relación a la zona de cocción es imprescindible para un resultado satisfactorio.



OPTIMUM Hood larger than the cooking zone	SUITABLE Hood same as the cooking zone	INADEQUATE Hood smaller than the cooking zone
---	--	---

Situation regarding the cooking zone

As with the size, the height of the hood is very important in order to achieve its maximum performance.

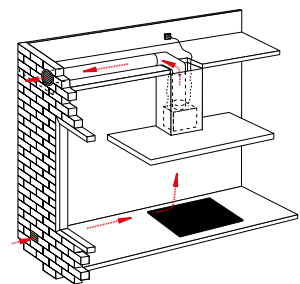


* The inclined wall hoods and integrated hoods, when installed closer to the cooking zone, generate more steam condensation, so it is advisable to dry them after cooking.
** According to the UNE-60335-2-31 standard, the minimum distance of the gas hobs from the extractor hood and / or the furniture must be at least 65 cm.

Ventilation

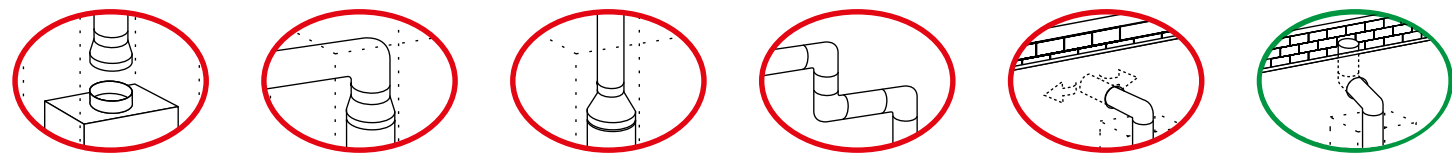
It is a basic requirement that the kitchen is provided with an air inlet to ensure good air circulation and therefore a correct operation of the hood since without this inlet and with the kitchen closed a depression is created that reduces the suction efficiency of the hood.

If there is an air inlet for the gas installation, this would be useful and if not, one must be created.



Installation of conductive tubes

Most of the efficiency of the aspiration and noise reduction depends on the path and length of the exit to the outside, for this reason we indicate a series of recommendations so that your satisfaction is greatest.



- Avoid making a reduction in diameter at the outlet of the hood nozzle.
- Avoid making a diameter reduction near the elbows, always try to do them in straight sections and away from the hood.
- Avoid abruptly reducing pipe diameter.
- Avoid the number of elbows as much as possible.
- Make sure that the smoke outlet is as direct as possible to avoid incorrect air circulation.
- In case of having to put elbows, try to make them as sharp as possible.

ALL MOTORS AND ELECTRONIC PARTS MUST BE ACCESSIBLE FOR TECHNICAL SERVICE INTERVENTIONS IF NECESSARY. IN CASE OF INSTALLING THE HOOD, PREVENTING ACCESS, IT WILL BE A REASON FOR LOSS OF THE GUARANTEE.

Calculation of powers necessary for a correct aspiration

Choosing a suitable size of hood in relation to the cooking zone is essential for a satisfactory result.

The ideal hood should suck in odor and smoke from the kitchen effectively and with minimal noise. For high comfort in the kitchen, it is necessary that the air is renewed between 12 and 15 times per hour and the noise does not exceed 55 dB (A).

It is very important to know that the channeling of the air produces a loss in the absorption capacity, so it is recommended to use the correct diameters, avoiding reductions and elbows.

The following data can be used to calculate the loss:

- 1 meter of tube - reduction of: 10 m³/h.
 - 1 90° elbow - reduction of: 50 m³/h.
 - 1 45° elbow - reduction of: 15 m³/h
 - 1 Nozzle - reduction of: 30 m³/h
- (Indicative data depending on the tube diameter)

Example: in a kitchen of 20 m² with a height of 2.5 meters, the volume of air to be renewed would be 50 m³, so if we need to renew it 15 times per hour, we would need an absorption capacity of 750 m³/h. If the channeling to the outside consists of 5 meters of pipe, a 90° elbow and a 45° elbow, the loss would be 115 m³/h. Therefore, it would be necessary to install a hood with a motor greater than 865 m³/h.

$$20 \times 2,5 \times 15 = 750 + (5 \times 10) + 50 + 15 = 865 \text{ m}^3/\text{h}.$$

For the correct air renewal it is necessary for the kitchen to be provided with an air inlet to ensure good air circulation and a correct operation of the hood since without this inlet and with the kitchen closed a depression is created that reduces the suction efficiency of the hood. If there is an air inlet for the gas installation, this would do.

$$\begin{matrix} \text{m}^2 \\ \text{of the kitchen} \end{matrix} \times \begin{matrix} \text{Kitchen} \\ \text{height} \end{matrix} \times \begin{matrix} 12 \\ \text{murals, integration} \\ \text{and surface} \\ \text{Air renewal / hour} \end{matrix} \times \begin{matrix} 15 \\ \text{de techo} \end{matrix} = \begin{matrix} \text{m}^3/\text{h} \\ \text{(Absorption capacity)} \end{matrix} + \begin{matrix} \text{Loss for} \\ \text{canalization} \end{matrix} = \begin{matrix} \text{m}^3/\text{h} \\ \text{(Required suction} \\ \text{capacity per hour)} \end{matrix}$$

Silence at maximum POWER: GP A + motors

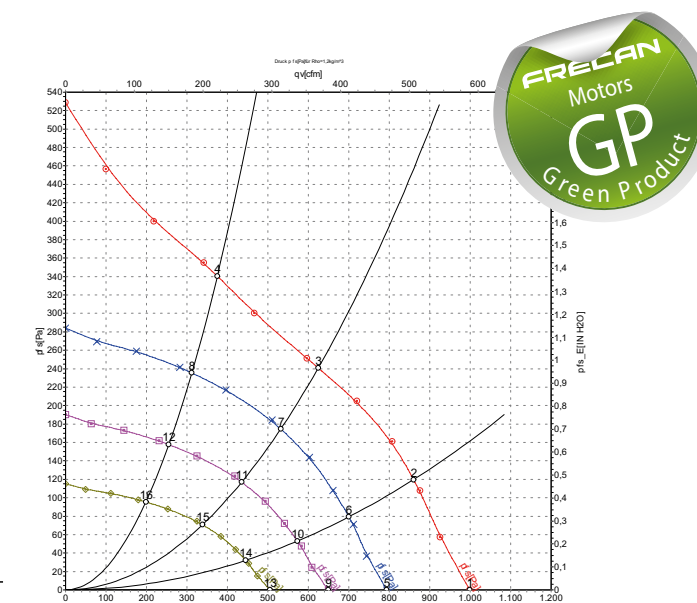
Silence at maximum power: GP A + motors
FRECAN expands its range of silent motors with the new R1000GP motor. A high-power motor with minimal noise thanks to its self-lubricated bronze bearings.

With this new motor, FRECAN increases its care for the environment thanks to the maximum energy rating of its motors.

Very quiet motors that generate comfort, making the kitchen a meeting space.

The German technology R1000GP Silence Plus motor equips dual-axis anti-vibration turbines with balanced blades with the latest generation silent-block, capable of combining pressure and speed to guarantee optimal air flow.

German Technology (maximum efficiency, minimum noise and maximum durability)



Sonority

Sonority is a subjective measure of the intensity with which a sound is perceived by the human ear. That is, sonority is the attribute that allows sounds to be ordered on a scale from the strongest to the weakest, their unit being the decibel.

It is proven that the sound sensation of intensity (sonority) increases for high-pitched sounds while the low sounds are less noticeable, which is because human hearing is not linear, but logarithmic. The audible frequency band is 20-20000 Hz, the pain threshold being 130 dB while the hearing threshold is 0 dB, although these vary with frequency.

Sonority is the ability of a sound to produce a sound sensation in our brain and depends on the intensity of a sound, but also on its frequency, amplitude and other variables, such as the sensitivity of the listener's ear and the duration of sound.

Since sonority is not an absolute magnitude, what is done is to measure the sonority level, that is, determine how loud one sound is in relation to another. To measure the sonority level, the phonium (fon) is used.

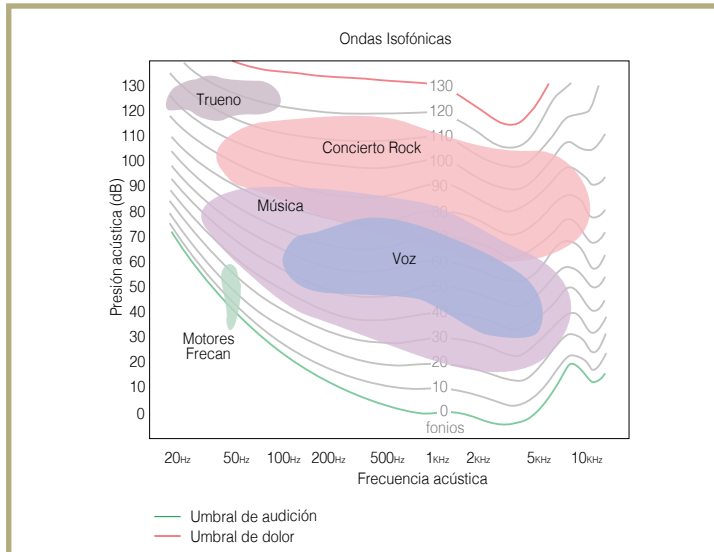
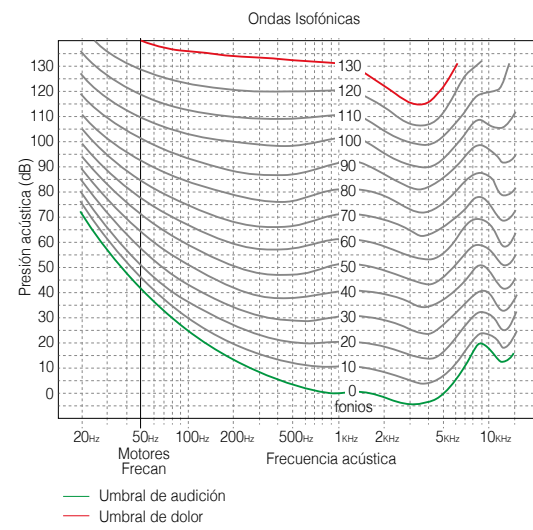


Hearing threshold

The phonium or (fon) is the unit that measures the perception of a dB at a frequency of 1000Hz, it is thus established because 1000 Hz is the frequency in which the increase in decibels with respect to the perception of sound is the most stable and coincident. by human ear.

Hearing threshold is considered to start at 0 fons and start to be dangerous above 130 fons.

It should be noted the importance that a phon equals one dB at a frequency of 1000 Hz (1kHz), as we can see in the graph of isophonic waves that we show below, varying considerably in other frequencies.



Bass sounds are perceived less than treble, that is, low frequencies are perceived less.

If we put two instruments like a double bass and a violin playing both at the same decibels, the violin will be much more noticeable to the ear.

FRECAN's motors and electronics emit at a frequency of only 50Hz. This causes that the emitted sound is very little perceivable for our ear.



Acoustic Power (LW) (Emitter)

Acoustic power is the sound value emitted by a sound source regardless of where it is located. This data is obtained from the average measurement made directly at the emitting source and is measured in decibels (dB).

In the case of FRECAN, it is the place of maximum sonority of our hoods (close to the motor). This is the value that is used in the energy label according to the EU 65/2014 standard.

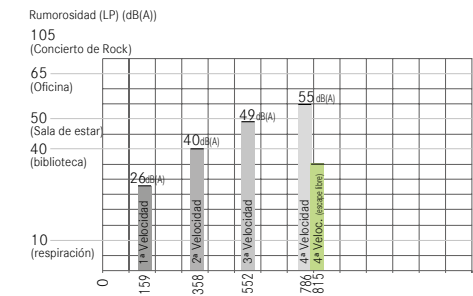
ACOUSTIC POWER = SOUND LEVEL GENERATED IN THE HOOD.
ACOUSTIC PRESSURE = SOUND LEVEL PERCEIVED BY THE USER'S EAR.

Acoustic Pressure (LP) (Receiver)

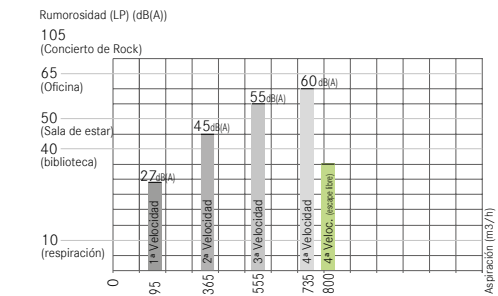
The sound pressure level determines the intensity of the sound that a sound pressure generates (that is, the sound that reaches a person at a normal working distance) and is measured in decibels (dB).

The European standard IEC 60704-2-13 is used to measure the sound pressure level of the FRECAN hoods in a soundproof chamber. With the recording of these measurements an average is made that indicates the average sound level that the user perceives.

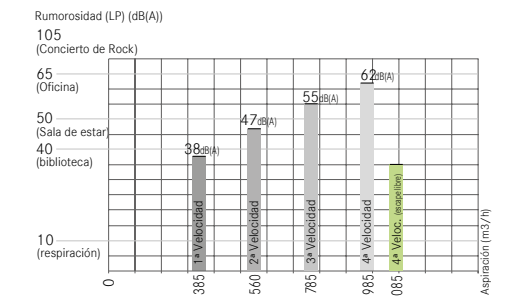
Motor S8 (100W power)



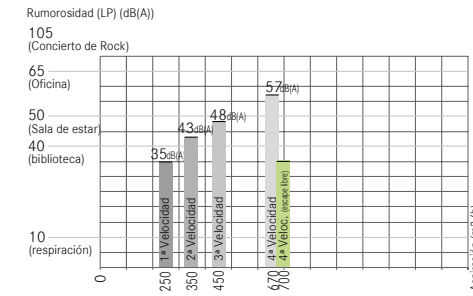
Motor ST8 (100W power)



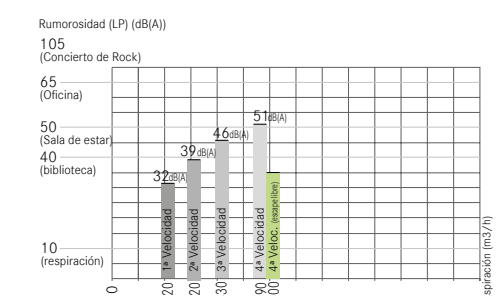
Motor 1100GP (230W power)



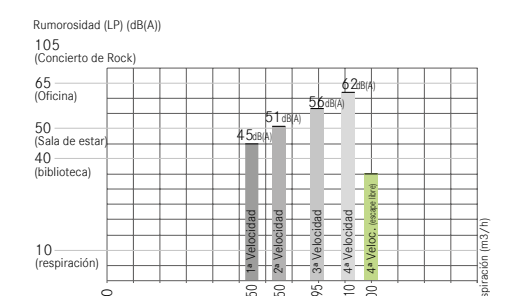
Motor VF700 (230W power)



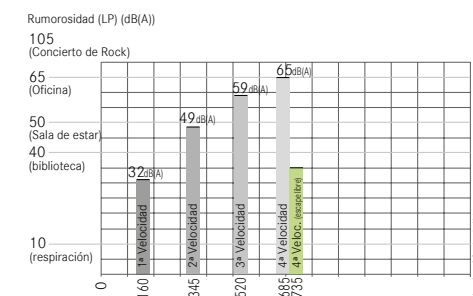
Motor VF600 (200W power)



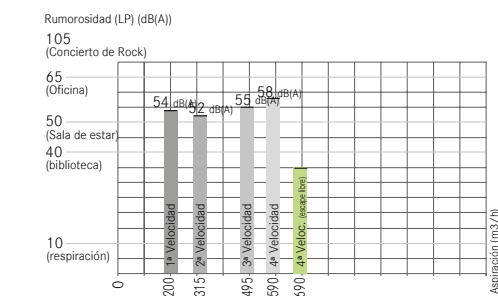
Motor R1000 GP (85W power)



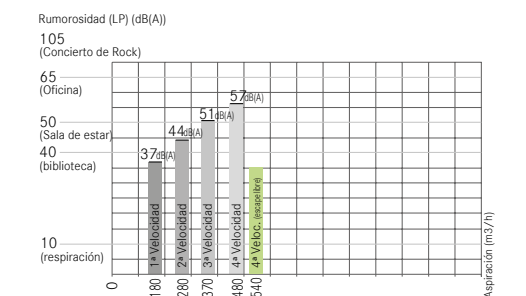
Motor R800 (83W power)



Motor R700 (52W power)



Motor S600 (160W power)



The highest value of (m³/h) is under free exhaust conditions.

According to the UNE-ES61591 standard for the suction capacity of an extractor hood. Flow tests should be performed with one meter of vertical pipe, one 90 degree elbow and one meter of horizontal pipe.
According to the European standard IEC 60704-2-13 for the noise test.
The Reference to the European standards for the suction capacity of kitchen hoods (m³/h) and the noise level (db A) the manufacturer must guarantee the veracity of the published information. On the contrary, any other information published without the Reference to these standards, has no contractual validity.

Motors (power and sonority) - Argumentary

FRECAN

Internal motor - S8



TYPE: Internal
REFERENCE: -
ENERGY CLASS: **A+**
POWER: 100 W
MAXIMUM SPEED: 1.410 rpm
INTENSITY: 0,8 A
MAXIMUM PRESSURE: 420 Pa
FLOW (1st) - EN61591: 159 m³/h
FLOW (2nd) - EN61591: 358 m³/h
FLOW (3rd) - EN61591: 552 m³/h
FLOW (Int) - EN61591: 786 m³/h
FLOW (Int) - 0 Pa: 815 m³/h
SOUND PRESSURE (Lp) (1st): 26 dB(A).
SOUND PRESSURE (Lp) (2nd): 40 dB(A).
SOUND PRESSURE (Lp) (3rd): 49 dB(A).
SOUND PRESSURE (Lp) (Int): 55 dB(A).
SOUND POWER (Lw) (1st): 35 dB(A).
SOUND POWER (Lw) (2nd): 50 dB(A).
SOUND POWER (Lw) (3rd): 59 dB(A).
SOUND POWER (Lw) (Int): 65 dB(A).
OUTLET: Ø 150 mm.

Internal motor - ST8



TYPE: Internal
REFERENCE: -
ENERGY CLASS: **A++**
POWER: 100 W
MAXIMUM SPEED: 1.500 rpm
INTENSITY: 0,8 A
MAXIMUM PRESSURE: 430 Pa
FLOW (1st) - EN61591: 95 m³/h
FLOW (2nd) - EN61591: 358 m³/h
FLOW (3rd) - EN61591: 552 m³/h
FLOW (Int) - EN61591: 736 m³/h
FLOW (Int) - 0 Pa: 800 m³/h
SOUND PRESSURE (Lp) (1st): 27 dB(A).
SOUND PRESSURE (Lp) (2nd): 45 dB(A).
SOUND PRESSURE (Lp) (3rd): 54 dB(A).
SOUND PRESSURE (Lp) (Int): 60 dB(A).
SOUND POWER (Lw) (1st): 37 dB(A).
SOUND POWER (Lw) (2nd): 55 dB(A).
SOUND POWER (Lw) (3rd): 65 dB(A).
SOUND POWER (Lw) (Int): 71 dB(A).
OUTLET: Ø 150 mm.

Internal motor - 1100GP



TYPE: Internal
REFERENCE: -
ENERGY CLASS: **A+++**
POWER: 230 W
MAXIMUM SPEED: 2380 rpm
INTENSITY: 1,8 A
MAXIMUM PRESSURE: 490 Pa
FLOW (1st) - EN61591: 385 m³/h
FLOW (2nd) - EN61591: 560 m³/h
FLOW (3rd) - EN61591: 785 m³/h
FLOW (Int) - EN61591: 985 m³/h
FLOW (Int) - 0 Pa: 1085 m³/h
SOUND PRESSURE (Lp) (1st): 38 dB(A).
SOUND PRESSURE (Lp) (2nd): 47 dB(A).
SOUND PRESSURE (Lp) (3rd): 55 dB(A).
SOUND PRESSURE (Lp) (Int): 62 dB(A).
SOUND POWER (Lw) (1st): 49 dB(A).
SOUND POWER (Lw) (2nd): 58 dB(A).
SOUND POWER (Lw) (3rd): 66 dB(A).
SOUND POWER (Lw) (Int): 74 dB(A).
OUTLET: Ø 150 mm.

Internal motor - VF600GP



TYPE: Internal
REFERENCE: -
ENERGY CLASS: **A**
POWER: 200 W
MAXIMUM SPEED: 800 rpm
INTENSITY: 0,91 A
MAXIMUM PRESSURE: 520 Pa
FLOW (1st) - EN61591: 220 m³/h
FLOW (2nd) - EN61591: 320 m³/h
FLOW (3rd) - EN61591: 430 m³/h
FLOW (Int) - EN61591: 590 m³/h
FLOW (Int) - 0 Pa: 600 m³/h
SOUND PRESSURE (Lp) (1st): 32 dB(A).
SOUND PRESSURE (Lp) (2nd): 39 dB(A).
SOUND PRESSURE (Lp) (3rd): 46 dB(A).
SOUND PRESSURE (Lp) (Int): 54 dB(A).
SOUND POWER (Lw) (1st): 42 dB(A).
SOUND POWER (Lw) (2nd): 51 dB(A).
SOUND POWER (Lw) (3rd): 58 dB(A).
SOUND POWER (Lw) (Int): 65 dB(A).
OUTLET: Ø 150 mm.

Internal motor - VF700GP



TYPE: Internal
REFERENCE: -
ENERGY CLASS: **A+**
POWER: 230 W
MAXIMUM SPEED: 900 rpm
INTENSITY: 1,05 A
MAXIMUM PRESSURE: 550 Pa
FLOW (1st) - EN61591: 250 m³/h
FLOW (2nd) - EN61591: 350 m³/h
FLOW (3rd) - EN61591: 450 m³/h
FLOW (Int) - EN61591: 670 m³/h
FLOW (Int) - 0 Pa: 700 m³/h
SOUND PRESSURE (Lp) (1st): 35 dB(A).
SOUND PRESSURE (Lp) (2nd): 43 dB(A).
SOUND PRESSURE (Lp) (3rd): 48 dB(A).
SOUND PRESSURE (Lp) (Int): 57 dB(A).
SOUND POWER (Lw) (1st): 47 dB(A).
SOUND POWER (Lw) (2nd): 55 dB(A).
SOUND POWER (Lw) (3rd): 60 dB(A).
SOUND POWER (Lw) (Int): 69 dB(A).
OUTLET: Ø 150 mm.

Inline motor - IN1100GP



TYPE: Inline
REFERENCE: 90207
ENERGY CLASS: **A+++**
POWER: 230 W
MAXIMUM SPEED: 2.380 rpm
INTENSITY: 1,8 A
MAXIMUM PRESSURE: 490 Pa
FLOW (1st) - EN61591: 385 m³/h
FLOW (2nd) - EN61591: 560 m³/h
FLOW (3rd) - EN61591: 785 m³/h
FLOW (Int) - EN61591: 985 m³/h
SOUND PRESSURE (Lp) (1st): 38 dB(A).
SOUND PRESSURE (Lp) (2nd): 47 dB(A).
SOUND PRESSURE (Lp) (3rd): 55 dB(A).
SOUND PRESSURE (Lp) (Int): 62 dB(A).
SOUND POWER (Lw) (1st): 49 dB(A).
SOUND POWER (Lw) (2nd): 58 dB(A).
SOUND POWER (Lw) (3rd): 66 dB(A).
SOUND POWER (Lw) (Int): 74 dB(A).
OUTLET: Ø 150 mm.

External Wall motor - PA1200



TYPE: External Wall
REFERENCE: 90208
ENERGY CLASS: **A+**
POWER: 154 W
MAXIMUM SPEED: 2.590 rpm
INTENSITY: 0,67 A
MAXIMUM PRESSURE: 460 Pa
FLOW (1st) - EN61591: 1010 m³/h
FLOW (2nd) - EN61591: 1095 m³/h
FLOW (3rd) - EN61591: 1150 m³/h
FLOW (Int) - EN61591: 1230 m³/h
SOUND PRESSURE (Lp) (1st): 53 dB(A).
SOUND PRESSURE (Lp) (2nd): 54 dB(A).
SOUND PRESSURE (Lp) (3rd): 55 dB(A).
SOUND PRESSURE (Lp) (Int): 57 dB(A).
SOUND POWER (Lw) (1st): 61 dB(A).
SOUND POWER (Lw) (2nd): 62 dB(A).
SOUND POWER (Lw) (3rd): 63 dB(A).
SOUND POWER (Lw) (Int): 65 dB(A).
AIR ENTRANCE: Ø 200 mm.

Roof motor - TJ1900



TYPE: Roof
REFERENCE: 90209
ENERGY CLASS: **B**
POWER: 150 W
MAXIMUM SPEED: 1.300 rpm
INTENSITY: 0,66 A
MAXIMUM PRESSURE: 260 Pa
FLOW (1st) - EN61591: 1550 m³/h
FLOW (2nd) - EN61591: 1600 m³/h
FLOW (3rd) - EN61591: 1650 m³/h
FLOW (Int) - EN61591: 1800 m³/h
ACOUSTIC PRESSURE (Lp) (1st): 53 dB(A).
SOUND PRESSURE (Lp) (2nd): 54 dB(A).
SOUND PRESSURE (Lp) (3rd): 55 dB(A).
SOUND PRESSURE (Lp) (Int): 58 dB(A).
SOUND POWER (Lw) (1st): 63 dB(A).
SOUND POWER (Lw) (2nd): 64 dB(A).
SOUND POWER (Lw) (3rd): 65 dB(A).
SOUND POWER (Lw) (Int): 68 dB(A).
AIR ENTRANCE: Ø 200 mm.

Roof motor - TJ2400



TYPE: Roof
REFERENCE: 90210
ENERGY CLASS: **B**
POWER: 280 W
MAXIMUM SPEED: 1.255 rpm
INTENSITY: 1,25 A
MAXIMUM PRESSURE: 350 Pa
FLOW (1st) - EN61591: 2250 m³/h
FLOW (2nd) - EN61591: 2300 m³/h
FLOW (3rd) - EN61591: 2350 m³/h
FLOW (Int) - EN61591: 2400 m³/h
ACOUSTIC PRESSURE (Lp) (1st): 58 dB(A).
SOUND PRESSURE (Lp) (2nd): 59 dB(A).
SOUND PRESSURE (Lp) (3rd): 60 dB(A).
SOUND PRESSURE (Lp) (Int): 63 dB(A).
SOUND POWER (Lw) (1st): 65 dB(A).
SOUND POWER (Lw) (2nd): 67 dB(A).
SOUND POWER (Lw) (3rd): 68 dB(A).
SOUND POWER (Lw) (Int): 71 dB(A).
AIR ENTRANCE: Ø 250 mm.

Internal motor - R1000GP



TYPE: Internal
REFERENCE: -
ENERGY CLASS: **A+**
POWER: 85 W
MAXIMUM SPEED: 2580 rpm
INTENSITY: 0,7 A
MAXIMUM PRESSURE: 440 Pa
FLOW (1st) - EN61591: 505 m³/h
FLOW (2nd) - EN61591: 650 m³/h
FLOW (3rd) - EN61591: 795 m³/h
FLOW (Int) - EN61591: 910 m³/h
FLOW (Int) - 0 Pa: 1000 m³/h
SOUND POWER (Lw) (1st): 45 dB(A).
SOUND POWER (Lw) (2nd): 51 dB(A).
SOUND POWER (Lw) (3rd): 55 dB(A).
SOUND POWER (Lw) (Int): 59 dB(A).
SOUND PRESSURE (Lp) (1st): 53 dB(A).
SOUND PRESSURE (Lp) (2nd): 58 dB(A).
SOUND PRESSURE (Lp) (3rd): 63 dB(A).
SOUND PRESSURE (Lp) (Int): 67 dB(A).
OUTLET: 220 x 90 mm.

Internal motor - R800



TYPE: Internal
REFERENCE: -
ENERGY CLASS: **A+++**
POWER: 83 W
MAXIMUM SPEED: 3200 rpm
INTENSITY: 0,75 A
MAXIMUM PRESSURE: 550 Pa
FLOW (1st) - EN61591: 160 m³/h
FLOW (2nd) - EN61591: 345 m³/h
FLOW (3rd) - EN61591: 520 m³/h
FLOW (Int) - EN61591: 685 m³/h
FLOW (Int) - 0 Pa: 735 m³/h
SOUND PRESSURE (Lp) (1st): 32 dB(A).
SOUND PRESSURE (Lp) (2nd): 49 dB(A).
SOUND PRESSURE (Lp) (3rd): 59 dB(A).
SOUND PRESSURE (Lp) (Int): 65 dB(A).
SOUND POWER (Lw) (1st): 41 dB(A).
SOUND POWER (Lw) (2nd): 59 dB(A).
SOUND POWER (Lw) (3rd): 68 dB(A).
SOUND POWER (Lw) (Int): 74 dB(A).
OUTLET: 220 x 90 mm.

Internal motor - R700

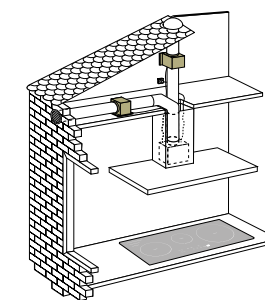


TYPE: Internal
REFERENCE: -
ENERGY CLASS: **A**
POWER: 52 W
MAXIMUM SPEED: 2480 rpm
INTENSITY: 0,23 A
MAXIMUM PRESSURE: 240 Pa
FLOW (1st) - EN61591: 200 m³/h
FLOW (2nd) - EN61591: 315 m³/h
FLOW (3rd) - EN61591: 415 m³/h
FLOW (Int) - EN61591: 470 m³/h
FLOW (Int) - 0 Pa: 540 m³/h
SOUND PRESSURE (Lp) (1st): 54 dB(A).
SOUND PRESSURE (Lp) (2nd): 52 dB(A).
SOUND PRESSURE (Lp) (3rd): 55 dB(A).
SOUND PRESSURE (Lp) (Int): 58 dB(A).
SOUND POWER (Lw) (1st): 62 dB(A).
SOUND POWER (Lw) (2nd): 60 dB(A).
SOUND POWER (Lw) (3rd): 63 dB(A).
SOUND POWER (Lw) (Int): 66 dB(A).
OUTLET: 200 x 90 mm.

Internal motor - S600

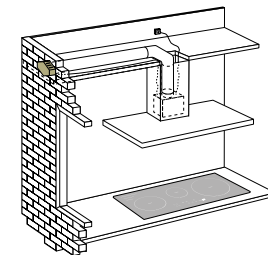


TYPE: Internal
REFERENCE: -
ENERGY CLASS: **D**
POWER: 160 W
MAXIMUM SPEED: 1600 rpm
INTENSITY: 0,72 A
MAXIMUM PRESSURE: 280 Pa
FLOW (1st) - EN61591: 180 m³/h
FLOW (2nd) - EN61591: 280 m³/h
FLOW (3rd) - EN61591: 370 m³/h
FLOW (Int) - EN61591: 480 m³/h
FLOW (Int) - 0 Pa: 540 m³/h
SOUND PRESSURE (Lp) (1st): 37 dB(A).
SOUND PRESSURE (Lp) (2nd): 44 dB(A).
SOUND PRESSURE (Lp) (3rd): 51 dB(A).
SOUND PRESSURE (Lp) (Int): 57 dB(A).
SOUND POWER (Lw) (1st): 49 dB(A).
SOUND POWER (Lw) (2nd): 57 dB(A).
SOUND POWER (Lw) (3rd): 63 dB(A).
SOUND POWER (Lw) (Int): 70 dB(A).
OUTLET: Ø 120 mm.



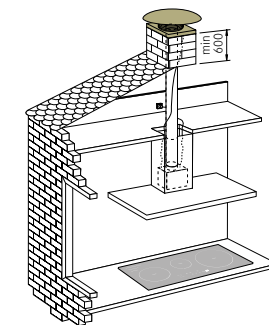
Reference

90207



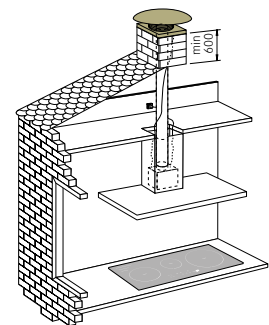
Reference

90208



Reference

90209



Reference

90210

Motors (Energy Labels) - Argumentary

FRECAN

26001	A+
26032	C
26033	C
26037	B
26038	A
26045	B
26110	D
26111	D
26113	D
26114	D
26130	A
26131	A++
26140	B
26141	A
26153	B
26169	B
26170	A
26192	A
26193	A
26229	A++
26237	A++
26241	A++
26274	D
26279	A+
26283	A++
26287	A+
26302	A++
26303	A++
26306	A++
26307	A++
26310	A++
26311	A++
26314	A++
26315	A++
26316	A++
26317	A++
26318	A++
26319	A++
26320	A++
26322	A++
26324	A++
26326	A++
26330	A++
26334	A++
26338	A++
26342	A++
26362	B
26363	A

26364	A
27025	A+
27026	A+
27027	A++
27028	A++
27029	A++
27030	A++
27031	A++
27032	A++
27033	A++
27034	A++
27035	A++
27036	A++
27037	A++
27038	A+
27039	A
27040	A
27041	A
27042	A
27045	B
27046	B
27047	B
27048	B
27050	A
27052	A
27053	A
27055	A++
27056	A++
27057*	C
27058*	C
27059	B
27060	B
27061	A
27062	A++
27066	A
27067	A++
27071	A
27072	A++
27076	A
27077	A++
27081	B
27082	A++
27086	B
27087	A++
27091	B
27092	A++
27096	B
27097	A++

27101	B
27102	A+
27106	B
27107	A+
27111	C
27112	C
27113	C
27114	C
27116	C
27117	B
27118	A
27119	A++
27120	B
27121	A
27122	A++
27126	A
27127	A++
27131	A
27132	A
27133	A
27134	B
27135	A
27137	B
27138	A
27139	A++
27143	A
27144	A++
27148	B
27149	A
27150	A++
27151	A
27152	A++
27153	B
27154	A
27155	A
27156	A++
27157	A
27158	A
27159	A
27160	A++
27164	A
27165	A++
27169	A
27170	A++
27174	A
27175	A++
27179	A
27180	A

27181	A
27182	A
27183	A
27184	A
27185	A
27186	A
27187	A
27188	A
27189	A++
27193	A++
27197	A++
27201	A
27202	A
27203	A
27204	A
27205	A
27207	B
27208	A++
27209	A++
27210	A
27211	A++
27215	A++
27219	A
27220	A
27221	A
27222	A
27223*	C
27224*	C
27225	A
27226	A++
27230	A+
27231	A+
27232	A+
27233	A+
27234	A++
27235	A++
27236	A++
27237	A++
27238	B
27239	B
27240	B
27241	B
27242	B
27243	B
27246	A
27247	A++
27248	A++

Hobs



The great versatility and precise and punctual control are characteristic of induction cooking. The nine possible power settings (if the Powerboost options are added) offer a wide range of possibilities: from the simple maintenance of the plate heat to a net power unthinkable with other systems.

The surface of the plate only heats up in contact with containers and does not reach temperatures that can burn; In addition, the plate automatically shuts off if the container is removed. Sophisticated plate electronics ensure safety with vessel recognition systems, overflow detector, automatic deactivation, and safety lock.

The cooking zone is activated only below the bottom of the pot; around, the plate is kept cold. Consequently, the food that comes out does not burn and does not create an unpleasant scale that is difficult to remove. Cleaning is therefore very easy and fast, and perfect hygiene.

Bridge function - Cooking in extended area

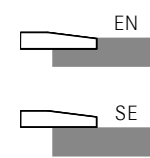


The new Bridge hobs allow you to associate two cooking zones to create a single zone where you can use large containers or cook several dishes at the same time, with maximum flexibility when placing the containers.

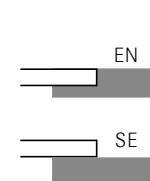
The innovative rectangular shape of the Bridge induction hobs provides maximum efficiency throughout the entire cooking zone, allowing all power to be concentrated in a single zone or on the entire surface.

Activation of the Bridge function is intuitive and immediate, and the entire area is managed with a single slider.

Installation Types



EN Beveled edge
Inclined edge (beveled) that provides a clean and elegant aesthetic both flush and on the counter and that is perfectly combined with semi-rim sinks.



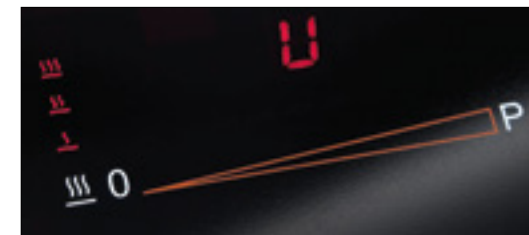
EN Vertical edge
Recessed with a rectilinear edge that protrudes only 4 mm from the worktop. The vertical profile of the glass allows flush and above-the-counter installation and the perfect union between various elements.

Slider control



Quick selection of temperature with the slider: just touch the desired power level with a finger on the touch screen.

Chef function



It's the new feature that lets you set specific temperatures (42°C, 70°C, 94°C) and keep them constant while cooking to easily prepare recipes made like a real chef. The preparations in a bain-marie, without using a second container of water, pastry creams or béchamel sauce will always be perfect. By adjusting a temperature close to boiling, liquids will immediately reach the desired temperature quickly.

Recall function

This function allows you to call up the last settings selected in the previous firing immediately.



Pause function

Useful feature that allows you to interrupt and resume set modes immediately if you must pause cooking to do something else.



Smart Fan System.

Correct ventilation is essential for the optimal operation of the induction hobs. This system automatically regulates the degree of ventilation depending on the temperatures reached.



Timer function

Programming by touch-control knobs on the plate glass. Each zone has an independent programming to adjust different cooking times.



Power Boost and Double Power Boost



Frecan induction hobs have the Booster function [P] to increase the power of the selected area. In particular, when activating the Booster, the cooking zone works for ten minutes at a very high power that allows large amounts of water to be heated quickly.

Some models have dual Boosters: two additional power settings (up to 3,700 W) for a single zone or for the entire expanded Bridge zone (if present).

Quantity	With Powerboost	Without Powerboost
3 liters	5 min.	3 min.
5 liters	8 min.	5 min.

Heat retention

It allows maintaining the temperature (70° C) of meals in a delicate way, without reaching boiling temperatures or burning the bottom of them.



Independent timer.

Some models have a minute-counter timer that is not linked to the end of the cooking setting.



Container detection

Induction hobs not only recognize the presence of cookware but also calculate the bearing surface. This system allows us to rationalize the use of energy. When the pot is removed, the cooking zone is automatically deactivated.



Go&Stop Automation

Activate the zones at maximum power until reaching the selected level.



Security

The induction hobs have the most modern and sophisticated safety protections: centralized shutdown; security lock; residual heat indicators. The induction models also have the following functions: Safety System, which turns off the plate if no pots are detected; Overflow detector, which automatically turns off the plate if liquids are spilled; automatic deactivation, to prevent accidents due to forgetfulness.

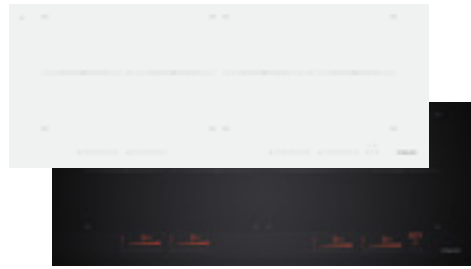


Induction - Hobs

FRECAN

FRECAN

G5 900 Bridge



Description:

- PLATE WITH 4 COOKING ZONES
- Total dimensions: 900 x 350 mm.
- Cut-out hole: 860 x 330 mm.

Cooking zones:

- 4 ZONES 220 X 180 mm. 2100 W. Power Boost 3700 W
- Bridges in 2 groups of 2 zones. TOTAL POWER 7400 W

Versions

Finishing	Ref
Black Keraslate	51137
White	51136

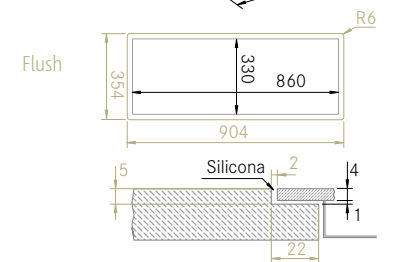
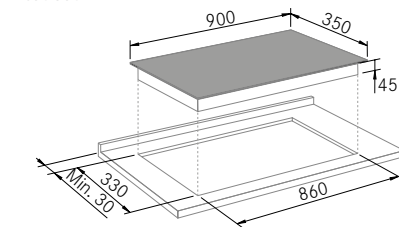


Technical information

- 4 cooking zones
- Bridge function.
- Touch control with Slider.
- 9 power levels in each zone.
- Power Boost function.
- Función Chef and Pause function.
- Timer function and independent timer.
- Automatic detection of the container.
- Go & Stop Automation.
- Residual heat indicator.
- Security lock.
- EGO induction components.

Technical design

Cut-out



COMBINABLE WITH THE FLOW 1 HOOD (See page 43)

Vitro 603 Induction Slider II



Description:

- PLATE WITH 3 COOKING ZONES
- Total dimensions: 590 x 520 x 52 mm.
- Cut-out dimensions: 560 x 490 mm.

Cooking zones:

- Rear left Ø160 mm. 1100 W. - Power Boost 1400 W.
- Front left Ø200 mm. 2300 W. - Power Boost 3000 W.
- Derecho Ø270 mm. 2300 W. - Power Boost 3000 W.

Versions

Finishing	Ref
Black	51120
White	51121

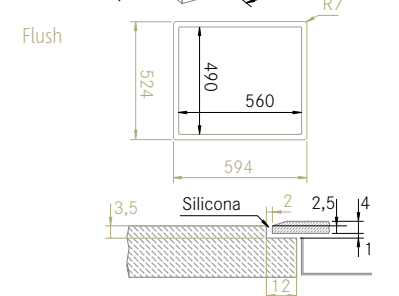
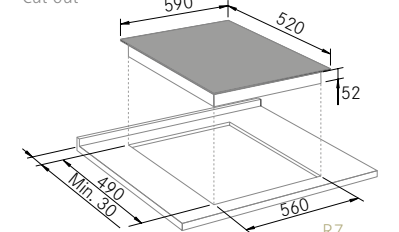


Technical information

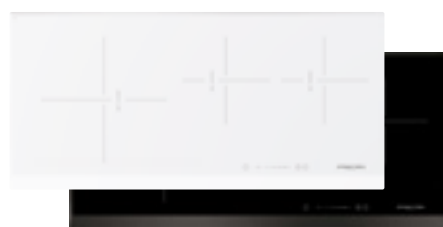
- Touch control.
- SLIDER power control.
- Power Boost function.
- Función timer.
- Automatic detection of the container.
- Go & Stop Automation.
- 9 power levels in each zone.
- Residual heat indicator for each zone.
- Security lock.
- Concept chamfered edge finish.

Technical design

Cut-out



Vitro 783 Induction Slider II



Description:

- PLATE WITH 3 COOKING ZONES
- Total dimensions: 780 x 370 mm.
- Cut-out hole: 760 x 340 mm.

Cooking zones:

- Left Ø250 mm. 2300 W. - Power Boost 3000 W.
- Central Ø160 mm. 1100 W. - Power Boost 1400 W.
- Right Ø160 mm. 2300 W. - Power Boost 3000 W.

Versions

Finishing	Ref
Black	51122
White	51123



Technical information

- Touch control.
- SLIDER power control.
- Power Boost function.
- Timer function.
- Automatic detection of the container.
- Go & Stop Automation.
- 9 power levels in each zone.
- Residual heat indicator for each zone.
- Security lock.
- Concept chamfered edge finish.

Technical design

Cut-out

